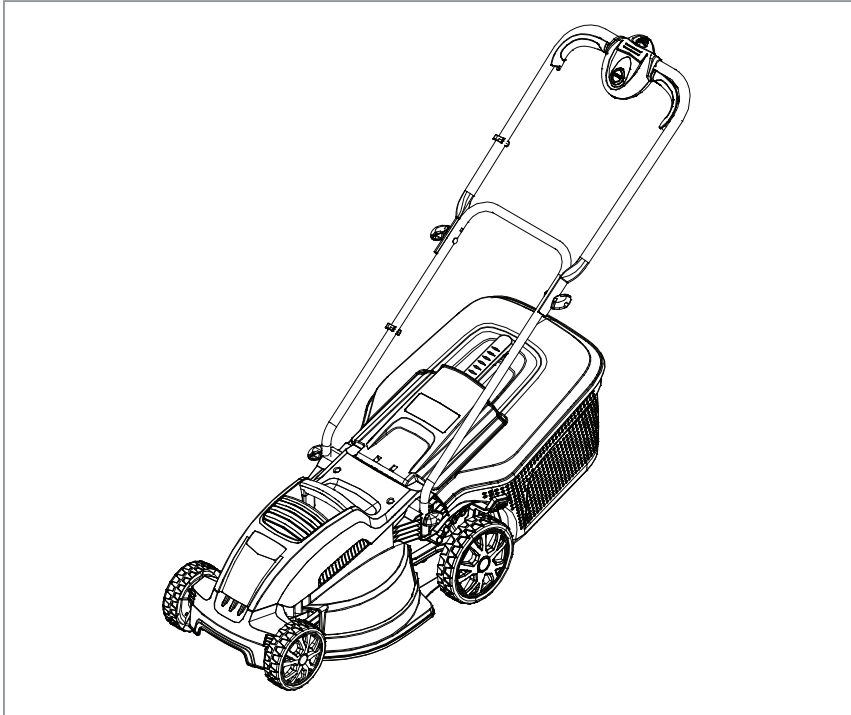





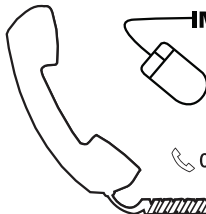
Speedi-Mo 360VC
Speedi-Mo 360C



Original Instructions



 **IMPORTANT INFORMATION**
Read before use
& retain for future reference



IMPORTANT Please register your product warranty on line.

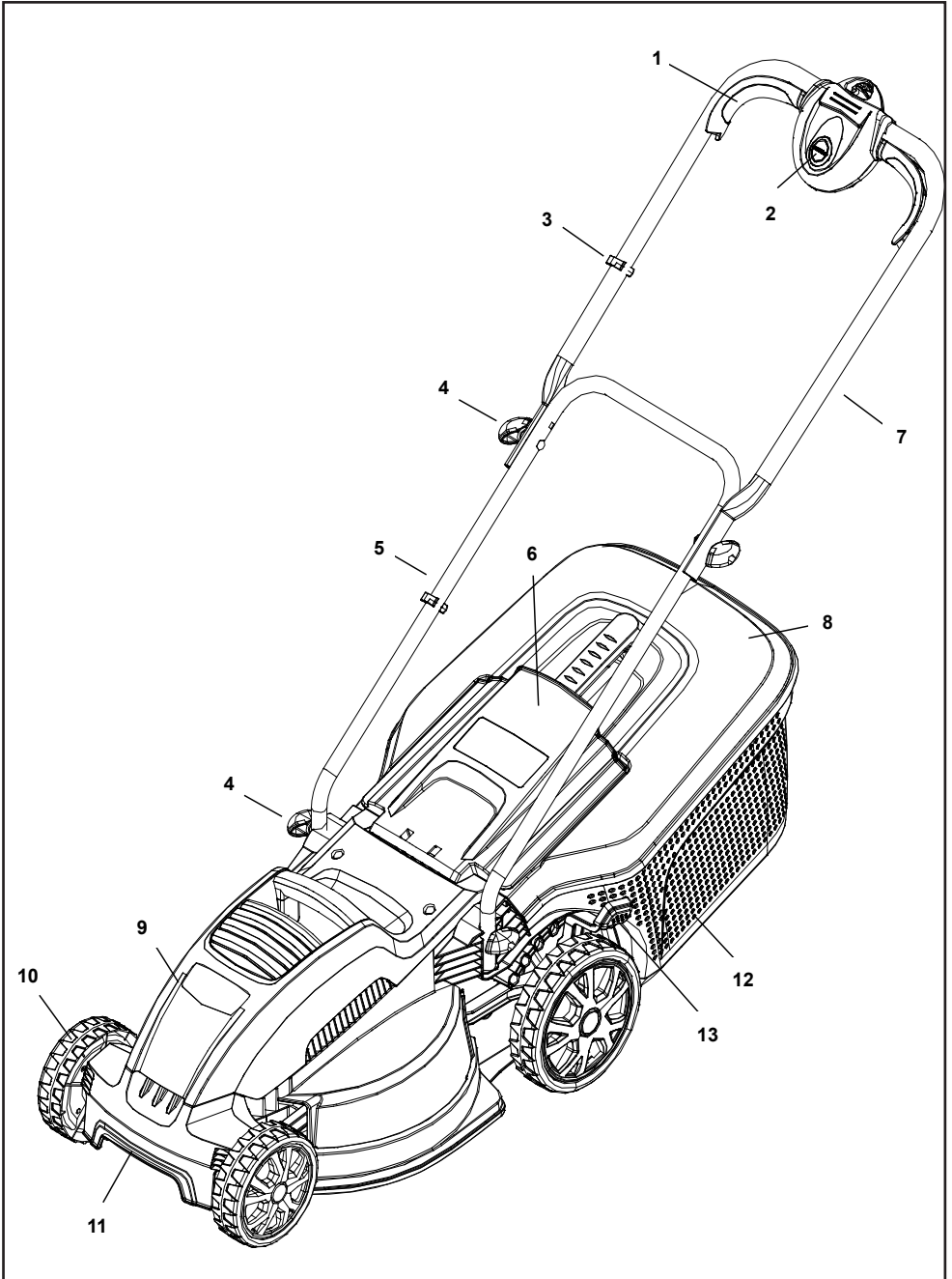
To register your warranty and for all your parts requirements please visit

www.flymo.com

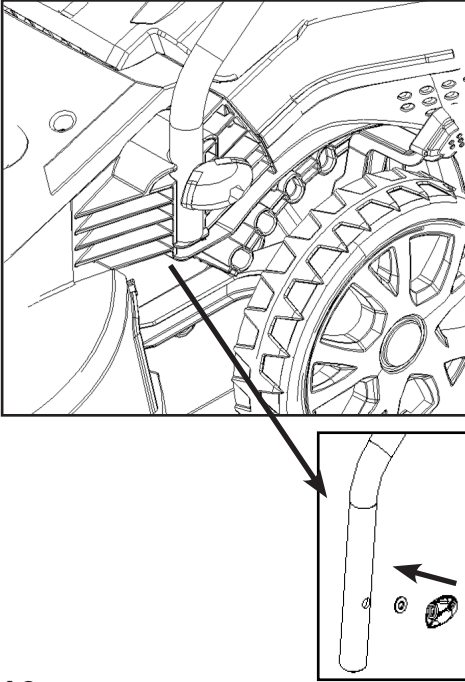
For all other enquiries

☎ 0844 844 4558 **UK** 1800 882 350 **ROI**

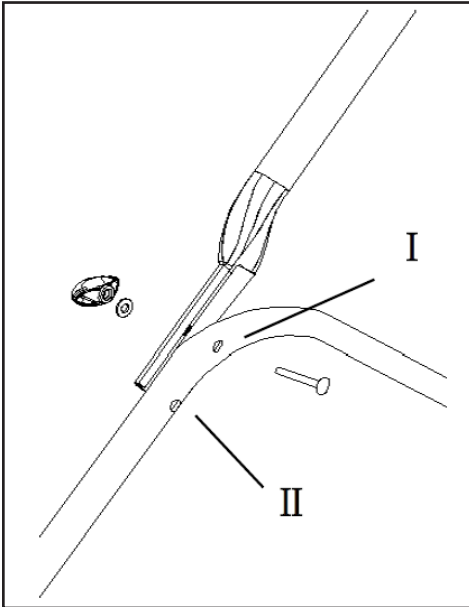
✉ customer.services@husqvarna.co.uk



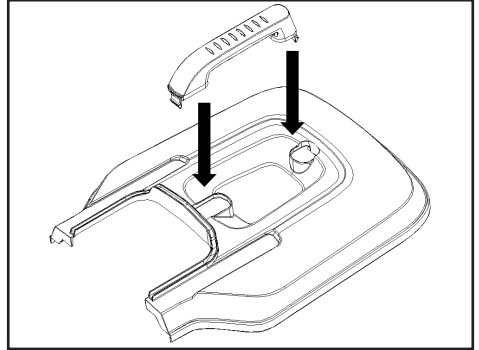
A1



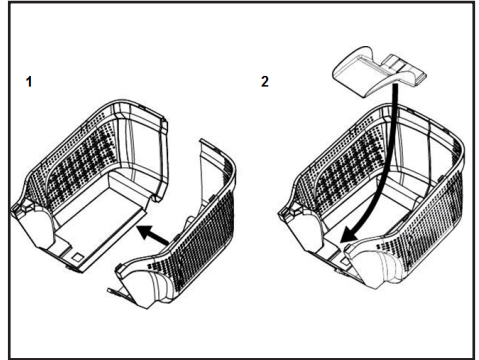
A2



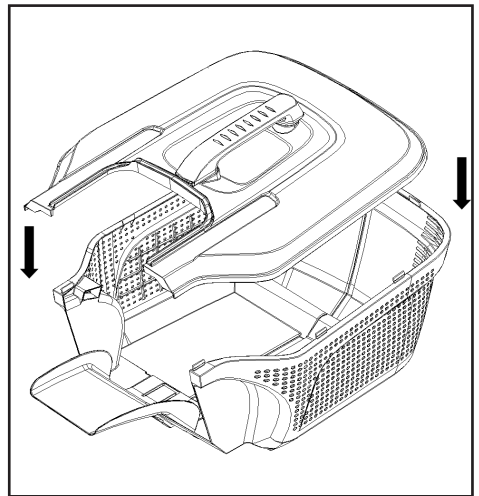
B1



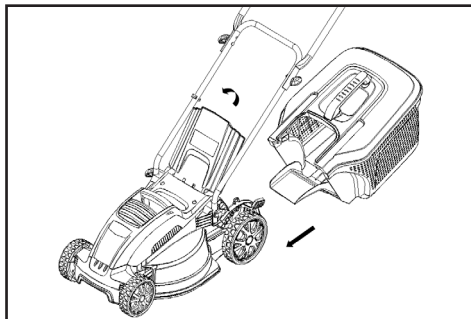
B2



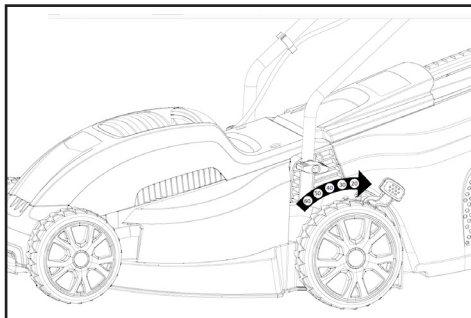
B3



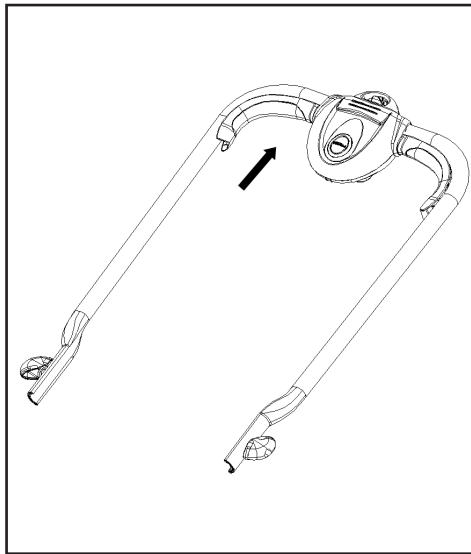
B4



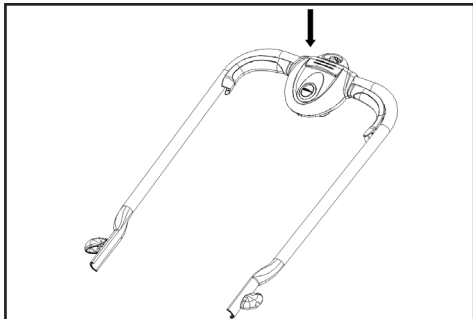
C



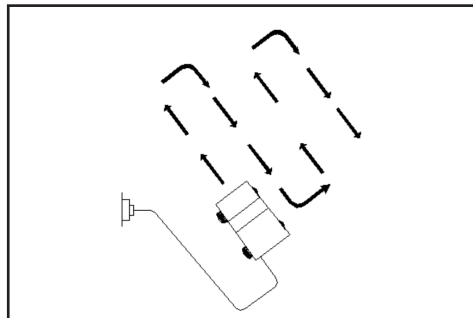
D1



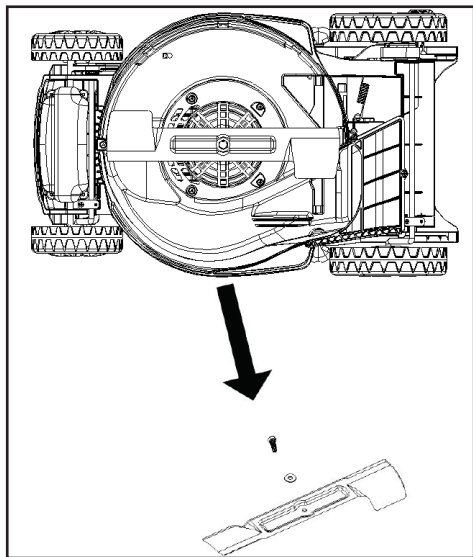
D2



E



F



SAFETY RULES



IMPORTANT! Read before use and retain for future reference.



WARNING!

If not used properly this product can be dangerous! This product can cause serious injury to the operator. Warnings and safety instructions must be followed to ensure reasonable safety and efficiency in using this product.

The operator is responsible for following the warning and safety instructions in this manual and on the product.

EXPLANATION OF WARNING LEVELS

The warnings are graded in three levels:



WARNING! Used if there is a risk of serious injury or death for the operator or damage to the surroundings if the instructions in the manual are not followed.



IMPORTANT! Used if there is a risk of injury to the operator or damage to the surroundings if the instructions in the manual are not followed.

CAUTION! Used if there is a risk of damage to materials or the machine if the instructions in the manual are not followed.

GENERAL

- 1 This product is not intended for use by persons (including children) with reduced physical, sensory or mental capabilities, or lack of experience and knowledge, unless they have been given supervision or instruction concerning the use of the product by a person responsible for their safety. Children should be supervised to ensure that they do not play with the product. Local regulations may restrict the age of the operator.
- 2 Never allow children or people unfamiliar with the instructions to use the machine.
- 3 Stop using the machine while people, especially children, or pets are nearby.
- 4 Only use the product in the manner and for the functions described in these instructions.
- 5 Never operate the product when you are tired, ill or under the influence of alcohol, drugs or medicine.
- 6 The operator or user is responsible for accidents or hazards occurring to other people or their property.

ELECTRICAL

- 1 The use of a Residual Current Device (R.C.D.) with a tripping current of not more than 30mA is recom-

mended. Even with a R.C.D., installed 100% safety cannot be guaranteed and safe working practice must be followed at all times. Check your R.C.D. every time you use it.

- 2 Before use, examine the cable for signs of damage or aging. If the cable is found to be defective, take the product to an Authorised Service Centre and have the cable replaced.
- 3 Do not use the product if the electric cables are damaged or worn.
- 4 Immediately disconnect from the mains electricity supply if the cable is cut, or the insulation is damaged. Do not touch the electric cable until the electrical supply has been disconnected. Do not repair a cut or damaged cable. Replace it with a new one.
- 5 Your extension cable must be uncoiled. Coiled cables can overheat and reduce the efficiency of your mower.
- 6 Keep cable away from product. Always work away from the power point mowing up and down, never in circles.
- 7 Do not pull cable around sharp objects.
- 8 Always switch off at the mains before disconnecting any plug, cable connector or extension cable.
- 9 Switch off, remove plug from mains and examine electric supply cable for damage or aging before winding cable for storage. Do not repair a damaged cable, replace it with a new one. Use only genuine replacement cable.
- 10 Always wind cable carefully, avoiding kinking.
- 11 Never carry the product by the cable.
- 12 Never pull on the cable to disconnect any of the plugs.
- 13 Use only on AC mains supply voltage shown on the product rating label.
- 14 Our products are double insulated to EN60335. Under no circumstances should an earth be connected to any part of the product.

CABLES

If extension cables are used, they must comply with the minimum cross-sections in the table below:

Voltage	Cable length	Cross section
220-240V/ 50Hz	Up to 20 m	1.5 mm ²
220-240V/ 50Hz	20 - 50 m	2.5 mm ²

- 1 Mains cables and extensions are available from your local Approved Service Centre.
- 2 Only use extension cables specifically designed for outdoor use and which conform to one of the following specifications: Ordinary rubber (60245 IEC 53), Ordinary PVC (60227 IEC 53) or Ordinary PCP (60245 IEC 57).
- 3 If the short connection lead is damaged, it must be replaced by the manufacturer, its service agent or similarly qualified persons in order to avoid a hazard.

PREPARATION

- 1 While using your product always wear substantial footwear and long trousers. Do not operate the

equipment when barefoot or wearing open sandals. Make sure the lawn is clear of sticks, stones, bones, wire and debris; they could be thrown by the blade.

- 2 Before using the machine and after any impact, check for signs of wear or damage and repair as necessary.
- 3 Replace worn or damaged blades together with their fixings in sets to preserve balance.

USE

- 1 Use the product only in daylight or good artificial light.
- 2 Avoid operating your product in wet grass, where feasible.
- 3 Take care in wet grass, you may lose your footing.
- 4 On slopes, be extra careful of your footing and wear non-slip footwear.
- 5 Operate your product across the face of slopes, never up and down.
- 6 Exercise extreme caution when changing direction on slopes. Walk never run.
- 7 Make sure you always take up a safe and stable stance whilst working, especially on slopes. Do not use the mower close to swimming pools or garden ponds.
- 8 Do not walk backwards when operating, you could trip.
- 9 Never cut grass by pulling the product towards you.
- 10 Switch off before pushing the product over surfaces other than grass.
- 11 Never operate the product with damaged guards or without guards in place.
- 12 Keep hands and feet away from the cutting means at all times and especially when switching on the motor.
- 13 Do not tilt product when the motor is running.

- 14 Do not put hands near the grass discharge chute.
- 15 Never pick up or carry a product when it is operating or still connected to the mains supply.
- 16 Remove the plug from the mains:
 - before leaving the product unattended for any period.
 - before clearing a blockage.
 - before checking, cleaning or working on the appliance.
 - if you hit an object. Do not use your product until you are sure that the entire product is in a safe operating condition.
 - if the product starts to vibrate abnormally. Check immediately. Excessive vibration can cause injury.

MAINTENANCE AND STORAGE

- 1 Caution: Do not touch rotating blade(s).
- 2 Keep all nuts, bolts and screws tight to be sure the product is in safe working condition.
- 3 Check the grassbox frequently for wear or deterioration.
- 4 Replace worn or damaged parts for safety.
- 5 Only use the replacement parts specified for this product.
- 6 Be careful during adjustment of the product to prevent entrapment of the fingers between moving blades and fixed parts of the machine.
- 7 Store in a cool dry place and out of reach of children. Do not store outdoors.
- 8 Allow the product to cool for at least 30 minutes before storing.

KEYS TO SYMBOLS

Warning



Remove plug from mains before maintenance or if cable is damaged.



Read the user instructions carefully to make sure you understand all the controls and what they do.



Electric shock hazard



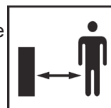
Always keep the product on the ground when operating. Tilting or lifting the product may cause stones to be thrown out.



Keep the cable supply away from the blade.



Keep bystanders away. Do not operate whilst people, especially children or pets, are in the area.



Use hearing protection.



Beware of sharp blades. Blades continue to rotate after the machine is switched off.



Use eye protection.



WHAT IS WHAT?

See Picture 0.

- 1 Start/stop lever
- 2 Lock off button
- 3 Cable clip
- 4 Wing knob
- 5 Lower handle
- 6 Safety guard

- 7 Upper handle
 - 8 Grassbox upper
 - 9 Motor cover
 - 10 Wheel
 - 11 Deck
 - 12 Grassbox lower
 - 13 Height adjust lever
-

ASSEMBLING AND ADJUSTMENTS

For further advice or repairs, contact your local dealer.

Assembling the handle

- 1 Insert the lower handles into the holes provided in the deck. Secure with the wing knob (Picture A1).
- 2 Attach the upper handle to the lower handles with the wing knob (Picture A2).

The upper handle is height adjustable. The handles can be fixed in position I or II as desired (Picture A2).

Note: Ensure that the cable clips are used to fix the cable to the handle.

Attach the cable to the cable hook ensuring that sufficient cable slack is available.

Ensure the cables are not trapped when folding and unfolding the top handles. Do not drop the handles.

Assembling the grassbox

- 1 Push the grassbox handle into the slots in the grassbox upper until it clicks securely into position (Picture B1).
- 2 Connect the two parts of the grassbox together, then install the tongue (Picture B2).
- 3 Starting at the rear of the grassbox, install the grassbox cover into the grassbox with the clips. Ensure all clips are correctly located (Picture B3).

- 4 Attach the complete grassbox to the lawnmower (Picture B4).
 - a. Lift the safety guard.
 - b. Make sure the discharge chute is clean and free from debris.
 - c. Install the fully assembled grassbox onto the location points at the rear of the deck as illustrated.
 - d. Place the safety flap on top of the grassbox.

Note: If you do not want to collect the grass, the lawnmower can be used without the grassbox. The safety guard must be in the down position.

Adjusting the cutting height



WARNING! Release the lever and wait until the motor stops before adjusting the height. The blades continue to rotate for a few seconds after the machine is switched off. A rotating blade can cause injury.

Adjust the cutting height by moving the height adjustment handle (Picture C).

Five cutting heights are available on this product.

Note: A medium height of cut is recommended for most lawns.

OPERATING

Starting and stopping

To start your lawnmower

- 1 Squeeze the start/stop lever (Picture D1) towards the handle.
- 2 Press and hold the safety button (Picture D2).
- 3 Release the safety button.



IMPORTANT! Make sure the blade stops rotating before switching on again. Do not rapidly switch on and off.

To stop your lawnmower

- 1 Release the pressure on the start/stop lever.

Grassbox full window (360VC)

As the grassbox fills up, grass will be visible through the

window.

When the window/grassbox is full it is time to empty the grassbox.

How to mow

- 1 Start mowing the edge of the lawn nearest to the power point so the cable is laid out on the lawn you have already cut (Picture E).
- 2 Mow twice a week during the growing season. Your lawn will suffer if more than a third of its length is cut at one time.

DO NOT OVERLOAD YOUR LAWNMOWER

Mowing long thick grass may cause the motor speed to drop. You will hear a change in the motor sound. If the motor speed drops you may overload your lawnmower which may cause damage. When mowing in long thick grass a first cut with the cutting height set higher will help reduce the load. See "Adjusting the cutting height."

Service recommendations

Your product is uniquely identified by a silver and black product rating label.

We strongly recommend that your product is serviced at least every twelve months, preferably by a professional.

Removing and fitting the blade

Switch off, wait until the blade has stopped rotating and disconnect from the mains electricity supply BEFORE attempting to remove or refit the blade.

Always handle the blade with care - sharp edges could cause injury. USE GLOVES.

Removing the Blade

- 1 To remove the blade bolt, hold the blade firmly with a gloved hand and with a spanner, loosen the blade bolt by turning it anti-clockwise (Picture F).
- 2 Remove the blade bolt, washer and blade.
- 3 Inspect for damage and clean as necessary.

Renew your metal blade after 50 hours mowing or 2 years, whichever is sooner, regardless of condition. If the blade is cracked or damaged replace it with a new one.

Fitting the Blade

- 1 Fit the blade to the shaft with the sharp edges of the blade pointing away from the shaft.
- 2 Re-assemble blade bolt through the washer and the blade.
- 3 Hold the blade firmly with a gloved hand and tighten the blade bolt firmly with a spanner. Do not over tighten.

Caring for your lawnmower

Cleaning

- DO NOT use liquids for cleaning.
- USE GLOVES.



IMPORTANT! After receiving your lawnmower from the manufacturer, it is very important that you keep your unit clean. Grass clippings left in any of the air intakes or under the deck could become a potential fire hazard.

- 1 Disconnect lawnmower from the mains electricity supply.
- 2 Remove grass from under the deck with a brush.
- 3 Using a soft brush, remove grass clippings from all air intakes, the discharge chute and the grassbox.
- 4 Using a soft brush, remove grass clippings from the vision window (if equipped).
- 5 Wipe over the surface of your lawnmower with a dry cloth.



IMPORTANT! Never use water for cleaning your lawnmower, as this could damage the lawnmower and invalidate the guarantee. Do not clean with chemicals, including petrol, or solvents - some can destroy critical plastic parts.

Storing your Cable

Your electric cable can be wrapped around hooks to enable tidy and safe storage.

Storing your Lawnmower

Store in a dry place where your lawnmower is protected from damage.

Loosen the wing knobs to enable the handles to be folded over the product ensuring that the upper handle is supported.

At the end of the mowing season

- 1 Replace bolts, nuts or screws, if necessary.
- 2 Clean your lawnmower thoroughly.
- 3 Make sure that the electric cable is stored correctly to prevent damage.

Replacement parts

- Blade 36cm
Part no.: 590605190 - FLY071

Environmental information

- Awareness of the environment must be considered when disposing of 'end-of-life' product.
- If necessary, contact your local authority for disposal information.

The symbol on the product or on its packaging indicates that this product may not be treated as household waste. Instead it shall be handed over to the applicable collection point for the recycling of electrical and electronic equipment.

By ensuring this product is disposed of correctly, you will help prevent potential negative consequences for the environment and human health, which could otherwise be caused by inappropriate waste handling of this product.

For more detailed information about recycling of this product, please contact your local council office, your household waste disposal service or the shop where you purchased the product.

Guarantee and guarantee policy

If any part is found to be defective due to faulty manufacture within the guarantee period, Husqvarna UK Ltd., through its Authorised Service Repairers, will effect the repair or replacement to the customer free of charge providing:

- (a) The fault is reported directly to the Authorised

Repairer.

- (b) Proof of purchase is provided.
- (c) The fault is not caused by misuse, neglect or faulty adjustment by the user.
- (d) The failure has not occurred through fair wear and tear.
- (e) The machine has not been serviced or repaired, taken apart or tampered with by any person not authorised by Husqvarna UK Ltd.
- (f) The machine has not been used for hire.
- (g) The machine is owned by the original purchaser.
- (h) The machine has not been used commercially.

* This guarantee is additional to, and in no way diminishes the customers statutory rights.

Failures due to the following are not covered, therefore, it is important that you read the instructions contained in this Operator's Manual and understand how to operate and maintain your machine.

Failures not covered by guarantee

- Failures as a result of not reporting an initial fault.
- Failures as a result of sudden impact.
- Failures as a result of not using the product in accordance with the instructions and recommendations contained in this Operator's Manual.
- Machines used for hire.
- The following items listed are considered as wearing parts and their life is dependent on regular maintenance and are, therefore, not normally subject to a valid warranty claim: blades, electric mains cable.

CAUTION! Husqvarna UK Ltd. does not accept liability under the warranty for defects caused in whole or part, directly or indirectly by the fitting of replacement parts or additional parts that are not either manufactured or approved by Husqvarna UK Ltd., or by the machine having been modified in any way.

CONTENTS OF THE EU DECLARATION OF CONFORMITY

We, Husqvarna AB, SE 561 82 Huskvarna, SWEDEN, declare under our sole responsibility that the represented product:

Description	Electric Rotary Lawnmower
Brand	Flymo
Platform / Type / Model	Platform CEM36FM, representing models Speedi-Mo 360VC, Speedi-Mo 360C
Batch	Serial number dating 2017 and onwards

Complies fully with the following EU directives and regulations:

Directive/Regulation	Description
2006/42/EC	"relating to machinery"
2014/30/EU	"relating to electromagnetic compatibility"
2000/14/EC	"relating to outdoor noise"
2011/65/EU	"relating to hazardous substances"

Harmonized standards and/or technical specifications applied are as follows:

EN60335-1, EN60335-2-77, EN50366, EN55014-1, EN55014-2, EN61000-3-2, EN61000-3-3

In accordance with directive 2000/14/EC, Annex V, the declared sound values are stated in the technical data section of this manual and in the signed EU Declaration of Conformity.

TÜV Rheinland N.A. has carried out a voluntary examination on behalf of Husqvarna AB, providing a Certificate of conformity to EC Council directive 2006/42/EC for machinery.

The certificate, as provided on the signed Declaration of Conformity, is applicable to all manufacturing locations and Countries of Origin, as stated on the product.

The supplied electric rotary lawnmower conforms to the example that underwent examination.

TECHNICAL DATA

Type	360VC / 360C
Width of Cut (cm)	36
Speed of rotation of cutting device (rpm)	3700
Power (kW)	1.5
Measured Sound Power LWA (dB(A))	95.8
Guaranteed Sound Power LWA (dB(A))	96
Sound pressure LpA (dB(A))	87
Uncertainty KpA (dB(A))	1.84
Hand / arm vibration avhw (m/s ²)	2.3
Uncertainty K of a _h (m/s ²)	1.5
Weight (Kg)	11.5

Fails to Operate

- 1 Is the correct Starting procedure being followed?
See "To Start your Lawnmower."
- 2 Is the Power Turned On?
- 3 Check the fuse in the plug. Replace if blown.

Poor Grass Collection

- 1 Disconnect from the mains electricity supply.
- 2 Clean the outside of the air intakes, the discharge chute and the underside of the deck.
- 3 Raise to a higher height of cut. See "Cutting Height Adjustment."

Excessive Vibration

- 1 Disconnect from the mains electricity supply.
- 2 Check that the blade is fitted correctly.
- 3 If the blade is damaged or worn, replace it with a new one.

Lawnmower becomes heavy to push

- 1 Disconnect from the mains electricity supply.
- 2 In long grass or uneven ground, the height of cut should be raised to a higher position. See "Cutting Height Adjustment."
- 3 Check that the wheels and rollers can rotate freely.

Deutschland / Germany
GARDENA Manufacturing GmbH
Central Service
Hans-Lorenser-Straße 40
D-89079 Ulm
Produktfragen:
(+49) 731 490-123
Reparaturen:
(+49) 731 490-290
service@gardena.com

Albania
COBALT Sh.p.k.
Rr. Sili Kodra
1000 Tirana

Argentina
Husqvarna Argentina S.A.
Av. del Libertador 5954 –
Piso 11 – Torre B
(C1428ARP) Buenos Aires
Phone: (+54) 11 5194 5000
info.gardena@
ar.husqvarna.com

Armenia
Garden Land Ltd.
611 Tigran Mets
0005 Yerevan

Australia
Husqvarna Australia Pty. Ltd.
Locked Bag 5
Central Coast BC
NSW 2252
Phone: (+61) 02 24352 7400
customer.service@
husqvarna.com.au

Austria / Österreich
Husqvarna Austria GmbH
Industriezeile 36
4010 Linz
Tel.: (+43) 732 77 01 01-485
service.gardena@
husqvarnagroup.com

Azerbaijan
Firm Progress
a. Alyev Str. 26A
1052 Baku

Belgium
GARDENA Belgium NV/SA
Sterrebeekstraat 163
1930 Zaventem
Phone: (+32) 2 7 20 92 12
Mail: info@gardena.be

Bosnia / Hercegovina
SILK TRADE d.o.o.
Industrijska zona Bukva bb
74260 Tešanj

Brazil
Husqvarna do Brasil Ltda
Av. Francisco Matarazzo,
1400 – 19º andar
São Paulo – SP
CEP: 05001-903
Tel: 0800-112252
marketing.br.husqvarna@
husqvarna.com.br

Bulgaria
Хусварна България
ЕООД
Бул. „Андрей Ляпчев“ № 72
1799 София
Тел.: (+359) 02/9753076
www.husqvarna.bg

Canada / USA
GARDENA Canada Ltd.
100 Summerlea Road
Brampton, Ontario L6T 4X3
Phone: (+1) 905 792 93 30
info@gardenacanada.com

Chile
Maquinarias Agroforestales
Ltda. (Maga Ltda.)
Santiago, Chile
Avda. Chesterton
8355 comuna Las Condes
Phone: (+56) 2 202 4417
Dalton@мага.cl
Zipcode: 7560330
Temuco, Chile
Avda. Valparaíso # 01466
Phone: (+56) 45 222 126
Zipcode: 4780441

China
Husqvarna (China) Machinery
Manufacturing Co. Ltd.
No. 1355, Jia Xin Rd.,
Ma Lu, Zhen, Jia Ding Dist.,
Shanghai
201801
Phone: (+86) 21 59156292
Domestic Sales
www.gardena.com.cn

Colombia
Husqvarna Colombia S.A.
Calle 18 No. 68 D-31, zona
Industrial de Montevideo
Bogotá, Cundinamarca
Tel. 571 2922700 ext. 105
jairo.salazar@
husqvarna.com.co

Costa Rica
Compania Exim
Euroiberomericana S.A.
Los Colegios, Moravia,
200 metros al Sur del Colegio
Saint Francis – San José
Phone: (+506) 297 68 83
exim_euro@racsca.co.cr

Croatia
SILK ADRIA d.o.o.
Josipa Lončara 3
10090 Zagreb
Phone: (+385) 1 3794 580
silk.adria@gz.t-com.hr

Cyprus
Med Marketing
17 Digeni Akrita Ave
P.O. Box 27017
1641 Nicosia
Czech Republic
Husqvarna Česko s.r.o.
Türkova 2319/5b
149 00 Praha 4 – Chodov
Bezplatná infolinka:
800 100 425
servis@cz.husqvarna.com

Denmark
GARDENA / Husqvarna
Consumer Outdoor Products
Salgsafdeling Danmark
Box 9003
S-200 39 Malmø
info@gardena.dk
Dominican Republic
BOSQUESA, S.R.L.
Carretera Santiago Licey
Km. 5 ½
Esquina Copal II,
Santiago
Dominican Republic
Phone: (+809) 736-0333
joserbosquesa@claro.net.do

Ecuador
Husqvarna Ecuador S.A.
Arupos E1-181 y 10 de
Agosto Quito, Pichincha
Tel. (+593) 22800739
francisco.jacome@
husqvarna.com.ec

Estonia
Husqvarna Eesti OÜ
Consumer Outdoor Products
Kesk tee 10, Aaviku küla
Rae vald
Harju maakond
75305 Estonia
kontakt.etj@husqvarna.ee

Finland
Oy Husqvarna Ab
Consumer Outdoor Products
Lautatarhankatu 8 B / PL 3
00581 HELSINKI
info@gardena.fi

France
Husqvarna France
9/11 Allée des pierres mayettes
92635 Gennevilliers Cedex
France
http://www.gardena.com/fr
N° AZUR: 0 810 00 78 23
(Prix d'un appel local)

Georgia

ALD Group
Belashvili 8
1159 Tbilisi
Great Britain
Husqvarna UK Ltd
Preston Road
Aycliffe Industrial Park
Newton Aycliffe
County Durham
DL5 6UP
info.gardena@
husqvarna.co.uk

Greece
Π.ΠΑΠΑΔΟΠΟΥΛΟΣ ΑΕΒΕ
Λεωφ. Αθηνών 92
Αθήνα
T.K.104 42
ΕΛΛΑΔΑ
Τηλ. (+30) 210 5193100
info@papadopoulos.com.gr

Hungary
Husqvarna Magyarország Kft.
Ezred u. 1-3
1044 Budapest
Telefon: (+36) 1 251-4161
vevoszolgalat.husqvarna@
husqvarna.hu

Iceland
Ó. Johnson & Kaaber
Tunguhsalsi 1
110 Reykjavik
ooj@ok.is

Ireland
Husqvarna UK Ltd
Preston Road
Aycliffe Industrial Park
Newton Aycliffe
County Durham
DL5 6UP
info.gardena@
husqvarna.co.uk

Italy
Husqvarna Italia S.p.A.
Via Como 72
23868 VALMADRERA (LC)
Phone: (+39) 0341.203.111
info@gardenaitalia.it

Japan
KAKIUCHI Co. Ltd.
Sumitomo Realty &
Development Kojimachi
BLDG., 8F
5-1 Nibanbanyo
Chiyoda-ku
Tokyo 102-0084
Phone: (+81) 33 264 4721
m.ishihara@kaku-ichi.co.jp

Kazakhstan
LAMED Ltd.
155/1, Tazhibayevoi 140,
050060 Almaty
IP Schmidt
Abayavenue 3B
110 005 Kostanay

Korea
Kyung Jin Trading CO.,LTD.
107-4, SunDuk Bld.,
YangJae-dong,
Seocho-gu,
Seoul, (zipcode: 137-891)
Phone: (+82) (0)2 574-6300

Kyrgyzstan
Alye Maki
av. Molodaya Guardir J 3
720014
Bishkek

Latvia
Husqvarna Latvija
Consumer Outdoor Products
Bakūži iela 6
LV-1024 Rīga
info@husqvarna.lv

Lithuania
UAB Husqvarna Lietuva
Consumer Outdoor Products
Atleities pl. 77C
LT-52104 Kaunas
centras@husqvarna.lt

Luxembourg

Magasins Jules Neuberg
39, rue Jacques Stas
Luxembourg-Gasperich 2549
Case Postale No. 12
Luxembourg 2010
Phone: (+352) 40 14 01
api@neuberg.lu

Mexico
AFOSA
Av. Lopez Mateos Sur # 5019
Col. La Calma 45070
Zapopan, Jalisco
Mexico
Phone: (+52) 33 3818-3434
icomejo@afosa.com.mx

Moldova
Convel S.R.L.
290A Muncesti Str.
2002 Chisinau

Netherlands
GARDENA Nederland B.V.
Postbus 50176
1305 AD ALMERE
Phone: (+31) 36 521 00 00
info@alden.nl
Neth. Antilles
Jonka Enterprises N.V.
Sta. Rosa Weg 196
P.O. Box 8200
Curaçao
Phone: (+599) 9 767 66 55
pgrm@jonka.com

New Zealand
Husqvarna New Zealand Ltd.
PO Box 76-437
Manukau City 2241
Phone: (+64) (0) 9 0202410
support.nz@husqvarna.com.nz

Norway
GARDENA
Husqvarna Consumer
Outdoor Products
Salgskontor Norge
Klevereivn 6
1540 Vestby
info@gardena.no

Peru
Husqvarna Perú S.A.
Jr. Ramón Cárcamo 710
Lima 1
Tel: (+51) 1 3320400 ext. 416
juan.remuzgo@
husqvarna.com

Poland
Husqvarna
Poland Spółka z o.o.
ul. Wysockiego 15 b
03-371 Warszawa
Phone: (+48) 22 330 96 00
gardena@husqvarna.com.pl

Portugal
Husqvarna Portugal, SA
Lagoa - Albarque
2635 - 595 Rio de Mouro
Tel: (+351) 21 922 85 30
Fax: (+351) 21 922 85 36
info@gardena.pt

Romania
Madex International Srl
Soseaua Odaiei 117- 123,
RO 013603 Bucuresti, SI
Phone: (+40) 21 352.76.03
madex@ines.ro

Russia / Россия
ООО „Хусварна“
141400, Московская обл.,
г. Химки,
улица Ленинградская,
владение 39, стр.6
Бизнес Центр
„Химки Бизнес Парк“,
помещение 0B02_04
http://www.gardena.ru

Serbia
Domel d.o.o.
Autoput za Novi Sad bb
11273 Belgrade
Phone: (+381) 118 48 88 12
miroslav.jejina@domel.rs

Singapore

HY-FLY PRIVATE LIMITED
40 Jalan Pemimpin
#02-08 Tat Ann Building
Singapore 577185
Phone: (+65) 6253 2277
shying@hyfly.com.sg

Slovak Republic
Husqvarna Česko s.r.o.
Türkova 2319/5b
149 00 Praha 4 – Chodov
Bezplatná infolinka:
800 154 044
servis@sk.husqvarna.com

Slovenia
Husqvarna Austria GmbH
Consumer Products
Industriezeile 36
4010 Linz
Tel.: (+43) 732 77 01 01-90
consumer.service@
husqvarna.at

South Africa
Husqvarna
South Africa (Pty) Ltd
Postnet Suite 250
Private Bag X6,
Cascades, 3202
South Africa
Phone: (+27) 33 846 9700
info@gardena.co.za

Spain
Husqvarna España S.A.
C/ Basauri, nº 6
La Florida
28023 Madrid
Phone: (+34) 91 708 05 00
atencioncliente@gardena.es

Suriname
Agrofix n.v.
Verlengde Hogestraat #22
P.O. Box: (+597) 472426
agrofix@sr.net
Pobox : 2006
Paramaribo
Suriname – South America

Sweden
Husqvarna AB
S-561 82 Huskvarna
info@gardena.se

Switzerland / Schweiz
Husqvarna Schweiz AG
Consumer Products
Industriestrasse 10
5506 Mägenwil
Phone: (+41) (0) 62 887 37 90
info@gardena.ch

Turkey
GARDENA Dost Diş Ticaret
Müessesilik A.Ş.
Sanayi Cad. Adı Sokak
No: 1/B Kartal
34873 İstanbul
Phone: (+90) 216 38 93 939
info@gardena-dost.com.tr

Ukraine / Україна
ТОВ «Хусварна Україна»
вул. Васильківська, 34,
офіс 204-г
03022, Київ
Тел. (+38) 044 498 39 02
info@gardena.ua

Uruguay
FEI SA
Entre Rios 1083 CP 11800
Montevideo – Uruguay
Tel: (+598) 212 03 18 44
info@felisa.com.uy

Venezuela
Corporación Casay y Jardín C.A.
Av. Caroní, Edif. Trezmen, PB.
Colinas de Bello Monte,
1050 Caracas.
Tlf: (+58) 212 992 33 22
info@casayjardin.net.ve

Husqvarna AB,
S-561 82
Husqvarna
Sweden

