

PRE-PRESSURIZED SPRAYER

IMPORTANT: Prior to operating this equipment, carefully read the instructions in this information sheet, together with the label and package leaflet on the chemical to be used.



Code: 418-02



Code: 417-02

IDEAL FOR

Application of insecticides, fungicides, herbicides and foliar fertilizers in domestic gardens and small nurseries.

OTHER USES

- Domestic insect control.
- Cleaning of vehicles and machinery.
- Whitewashing of trees, walls and fences.
- Washing garden seats and furniture.
- Application of liquid wax on floors and pavings.
- Application of wood preservatives.
- Anti-mold treatment.
- Application of waterproofing.

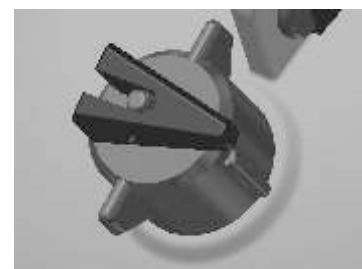
TECHNICAL SPECIFICATIONS

	418-02	417-02
Tank	High density polyethylene	
Pump	Polypropylene	
Maximum working pressure	3,1 bar (45 psi)	
Total capacity	7,6L/2,0 gal	4,4L/1,2 gal
Working capacity	6L/1,6 gal	3,8L/1,0 gal
Weight when empty	1,6kg/3,5 lb	
Packing box	215x215x475mm (8,5x8,5x18,7in)	315x125x425mm (12,4x4,9x16,7in)

The **Guarany Pre-Pressurised Sprayer** has a tank base designed for greater stability, a funnel-shaped neck for ease of filling, and a PVC-reinforced hose. It is also fitted with the following components:



Complete discharge assembly (Item 8) containing **Super 5 Valve** (Item 13) with double lock; one to prevent accidental spraying and the other for continuous spraying, ensuring less effort during use. It also has a universal nozzle, supplied with an adjustable tip delivering a fan-shaped spray, which also allows the connecting of any spray tip that is in compliance with those dimensions recognised by ISO international standards.



Safety valve (item 27) with automatic air release in case of excess pressure, or can be actuated manually.

ASSEMBLY INSTRUCTIONS

For the discharge assembly (Item 8) - carry out the assembly by simply fitting and tightening up the threaded bushes of items 13, 15, 17 and 18, as shown above.

OPERATING INSTRUCTIONS

With the equipment set up and the tank filled, operate the pump (item 3), using an up and down motion several times in order to pressurize the tank; then direct the discharge of the spray towards the intended application target and press the S-5 Valve (item 13).

SAFETY INSTRUCTIONS

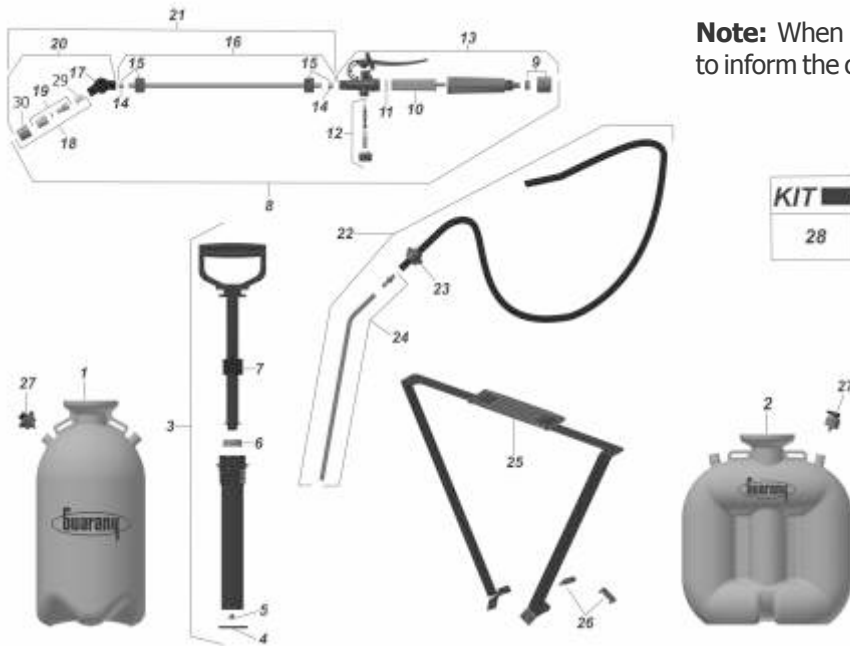
⚠ ATTENTION:

Utmost care should be taken when handling agrochemicals. **WARNING** - During the handling and application of agrochemicals personal protective equipment (PPE) must be used. Read the label and package leaflet on the chemical used to know which PPE should be worn and if any other forms of protection are necessary when handling these products. Do not spray against the wind. Thoroughly clean the equipment before making any repairs.

Guarany does not recommend the use of chemical-based products containing flammable solvents (e.g. kerosene, diesel, gasoline) and benzalkonium chloride (belonging to the group composing quaternary ammonium).

Avoid wasting chemical products. Preserve the environment.

PARTS LISTS



Note: When ordering parts it is essential to inform the code

ITEM	DESCRIPTION	CODE	PIECES PER PACKAGE
01	Tank (7,6ℓ)	6793	1
02	Tank (4,7ℓ)	6820	1
03	Complete pump assembly	4474	1
04	Pump collar gasket	6055	5
05	Pump valve	5301	5
06	Pump Bushing	5229	5
07	Piston guide collar	6588	2
08	Complete discharge assembly	4653	1
09	Nut and threaded bush for attaching hose	4428	2
10	Filter	6270	10
11	O-ring.....	6316	6
12	Repair Kit for S-5 Valve	4605	1
13	Discharge S-5 valve	4604	1
14	Coupling bush for discharge lance	6203	10
15	Threaded coupling collar for lance	10738	4
16	Discharge lance w/threaded coupling	10756	1
17	Elbow joint.....	10602	1
18	Fully adjustable tip	8118	1
19	Adjustable spray tip	9717	6
20	Complete elbow joint + spray nozzle assembly ..	10701	1

ITEM	DESCRIPTION	CODE	PIECES PER PACKAGE
21	Lance and discharge nozzle assembly	10757	1
22	Hose with connection and suction assembly (4,7ℓ) ..	11229	1
	Hose with connection and suction assembly (7,6ℓ) ..	11230	1
23	Suction tube connector nut	6067	2
24	Suction tube assembly (4,7ℓ)	11083	1
	Suction tube assembly (7,6ℓ)	11084	1
25	Strap with shoulder pads	4533	1
26	Harness release clips	6457	10
27	Complete safety valve assembly	4521	1
28	Repair Kit.....	4613	1
29	Spray tip filter.....	1143	10
30	Nut.....	3441	4

REPAIR KIT COMPONENTS

O-ring	2742
O-ring	2743
O-ring	2303
Pump Gasket.....	6055
Pump bushing	5229
Filter	1143
Pump valve.....	5301

Guarany Indústria e Comércio Ltda.

Rod. Waldomiro Corrêa de Camargo, Km 56,5
CEP 13308-200 - Itu - SP - Brasil / +55 (11) 2118-8400
www.guaranyind.com.br / guarany@guaranyind.com.br



Guarany
tradition and technology