

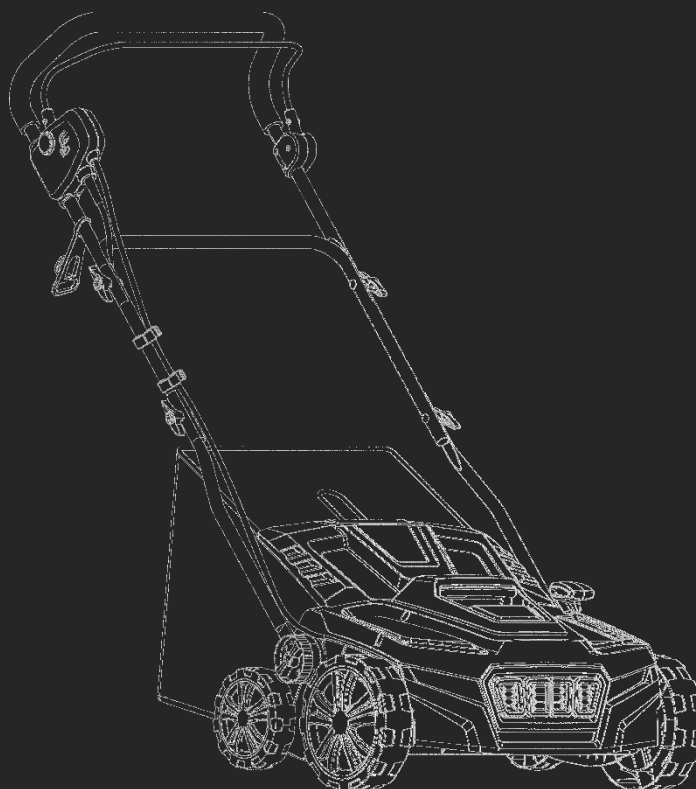
**HYUNDAI**  
POWER PRODUCTS

# SCARIFIER HYSC1600E

Instruction Manual



GENUINE PRODUCT OF  
HYUNDAI CORPORATION



WARNING: Read the instructions carefully before use.

# Contents

<b>Introduction.....</b>	<b>3</b>	<b>Maintenance &amp; Care.....</b>	<b>33-36</b>
<b>Safety Information.....</b>	<b>4-13</b>	General Maintenance.....	33
Understand Your Machine.....	4	Storage.....	3
Personal Safety.....	4-5	Cleaning.....	33
Inspect Your Machine.....	5-6	The Blade.....	34
Work Area.....	6	Replacing Blades.....	34-35
During Use.....	7	Troubleshooting.....	36
Batteries.....	8	<b>Specifications.....</b>	<b>37</b>
Electricity.....	9	<b>Recycling And Disposal.....</b>	<b>38</b>
Double Insulated Devices.....	9	<b>Declaration Of Conformity.....</b>	<b>39</b>
Vibrations.....	10	<b>Notes.....</b>	<b>40</b>
Noise.....	10	<b>Useful Information.....</b>	<b>41</b>
Residual Risks.....	10	Our YouTube Channel.....	41
Intended Use.....	11	Warranty.....	41
Personal Protective Equipment.....	12	Manual Updates.....	41
Symbols On The Machine.....	13	Returning Your Product.....	41
<b>Unboxing.....</b>	<b>14</b>	Leaving A Review.....	41
<b>In The Box.....</b>	<b>15-16</b>	Ordering Spare Parts.....	41
<b>Features.....</b>	<b>17-18</b>	<b>Product Record.....</b>	<b>42</b>
<b>Assembly.....</b>	<b>19-27</b>	<b>Contact Us.....</b>	<b>43</b>
Assembly Overview.....	19		
Attach The Lower Handles.....	19-20		
Attach The Middle Bar.....	21		
Attach The Upper Handle.....	22		
Attach Cable Clip.....	23		
Assemble Grass Collector.....	24		
Attach The Grass Collector.....	25		
Cable Relief Hook.....	26		
Working Depth Adjustment.....	27		
<b>Operation.....</b>	<b>28-32</b>		
Using The Scarifier.....	28		
Using The Raker.....	28		
Working Direction.....	29		
What Is Scarification.....	30		
How Does It Work.....	30		
Scarification.....	30		
Raking.....	30		
For Best Results.....	30		
Before Starting Work.....	31		
Starting.....	31		
Stopping.....	32		

# Introduction

## Thank You For Purchasing Your HYUNDAI Product

We work very hard to give all of our customers the best possible service. If you have any problems, before leaving negative feedback, please contact us to give us a chance to resolve the issue. We would be delighted if you left us positive feedback! Thank you for purchasing this product.

### Important!



**WARNING: READ THE INSTRUCTION BOOKLET THOROUGHLY BEFORE USING THE MACHINE.** Keep for future reference and pass it on if the machine is loaned or sold to another user.

This manual has been produced by Hyundai Power Products and should be kept with the product. Please read and understand these instructions before you use your product. Failure to do this may result in personal injury or damage to the product.

The safety precautions and warnings are to ensure your safety and protect you from harm or damage to the product.

The information contained in this manual was accurate at the time of production, however HYUNDAI Power Products may make modifications to the product without notification.

# Safety Information

## Understand Your Machine

- **WARNING!** You must read these instructions carefully before operating the machine. Make sure that you are familiar with the controls and properly operate the machine. You must learn how to stop the machine quickly. If you do not follow the warnings and instructions, it may result in fire and/or serious injury. Make sure to save all warnings and instructions for future reference.
- Read this manual and labels affixed to the machine to understand its limitations and potential hazards.
- Be thoroughly familiar with the controls and their proper operation. Know how to stop the machine and disengage the controls quickly.
- If the unit is to be used by someone other than original purchaser, or is to be loaned, rented, or sold, always provide this manual and any needed safety training before operation. The user can prevent and is responsible for accidents or injuries that may occur to themselves, to other people, or to property.
- Do not force the machine beyond its limits. Use the correct machine for your application.
- Know how to stop the machine quickly in case of emergency. Understand the use of all controls.
- ALL MAINTENANCE other than that listed in this manual, should be carried out by professionally trained and certified personnel.
- When using this machine for the first time and before actual work, you **MUST** learn how to handle the machine from an experienced or skilled person.

## Personal Safety

- **WARNING!** Never allow children or people unfamiliar with these instructions to use the product. Local regulations can restrict the minimum age of the operator.
- Keep children, pets, and other people not using the unit away from the work area (at least 15m). Be alert and shut off the unit if anyone enters work area. Keep children under the watchful care of a responsible adult.
- Stay alert, watch what you are doing and use common sense when operating the machine. Never operate the machine when unwell or tired, or if you have taken alcohol, medicine, drugs or any substances which may slow your reflexes and compromise judgment. A moment of inattention while operating the machine may result in serious personal injury.
- Appropriate Personal Protective Equipment (PPE), **MUST** be worn at all times when operating or repairing the machine. Always wear anti-slip and resistant work footwear and long trousers while using the machine. Do not use the machine when barefoot, wearing sandals or similar lightweight footwear. Do not wear chains, bracelets or clothing that is loose fitting or hanging ties or cords. Tie long hair back. Always wear protective earplugs. Loose clothes, jewellery, or long hair can be caught in moving parts. Protect eyes, face, and head from objects that may be thrown from the unit. Always wear safety goggles or safety glasses with side shields when operating.
- Always keep hands and feet away from all moving parts during operation. Moving parts can cut or crush body parts. Always keep hands and feet away from all pinch points.

# Safety Information

## Personal Safety (Continued)

- Do not touch parts that might be hot from operation. Allow parts to cool before attempting to maintain, adjust, or service.
- Do not overreach. Keep proper footing and balance at all times. This enables better control of the machine in unexpected situations. Extending your body too far can result in a loss of balance and you may fall which will result in injury.
- Never place any part of your body where it would be in danger if movement should occur during assembly, installation, and operation, maintenance, repairing or moving.
- Keep in mind that the operator or user is responsible for accidents, hazards or unexpected events involving the machine that occur to other people or their property. It is the responsibility of the user to assess the potential risk of the area where work is being carried out. The operator or user must take all necessary precautions to ensure their own safety and that of others, especially on slopes or rough, slippery and unstable ground.

## Inspect Your Machine

- Check your machine before starting it. Keep guards in place and in working order. Make sure all nuts, bolts, etc., are securely tightened.
- You must check the general condition of the machine before use.
- Never operate the machine when it is in need of repair or is in poor mechanical condition. Replace damaged, missing, or failed parts before using it. Check for fuel leaks. Keep the machine in safe working condition.
- Do not use the machine if the machine's switch does not turn off the machine when running. Any machine that can't be controlled with the switch is dangerous and must be replaced.
- Regularly check to see that keys and adjusting wrenches are removed from the machine area before starting it. A wrench or a key that is left attached to a rotating part of the machine may result in personal injury.
- If the machine should start to vibrate abnormally, stop the machine and check immediately for the cause. Vibration is generally a warning sign of trouble.
- Avoid accidental starting. Be sure the switch is off before transporting the machine or performing any maintenance or service on the unit. Transporting or performing maintenance or service on a machine with its switch on invites accidents.
- Do not tamper with or disable safety systems.
- Only use manufacturer-recommended attachments.
- Before using, always visually inspect to see that the tools are not worn out or damaged. Replace worn out or damaged elements and bolts in set to preserve balance.
- Keep the machine in good operating condition. Operating the machine in poor or questionable condition could result in serious injury.
- Be sure all safety devices are in working order and warning labels are in place. These items are installed for your safety.

# Safety Information

## Work Area

- You must only work in daylight or with good artificial light in good visibility conditions. Do not work at night, at times of heavy fog, or at any other times when your field of vision might be limited and it would be difficult to gain a clear view of the area.
- Keep people, children and animals away from the working area.
- Operate on flat, level ground.
- DO NOT work on wet ground. If there has been heavy rain on the working site, wait until the ground has dried up.
- Never park the machine in a place with unstable ground which could give way.
- You must be careful near ravines, ditches or embankments.
- Exercise extreme caution when operating on or crossing gravel drives, walks, or roads. Stay alert for hidden hazards or traffic.
- Do not work in the rain, when there is a thunderstorm or lightning risk, at times of strong or gale force winds, or at any other times when the weather conditions might make it unsafe to use this product. If there is bad weather conditions, do not use the machine.
- Make sure you thoroughly inspect the entire work area and remove all objects and anything that could be thrown by the machine or could damage the machine (branches, stones, wire, toys, etc). Attempting to clear the work area whilst using the machine will reduce your concentration and creates a trip hazard. Any liquid spilled on the floor may result in you slipping.
- Find and locate all fixed objects in the ground, such as sprinkler systems, poles, water valves, bases for washing lines etc. Make sure that you check for hidden electrical cables or similar on the surface of the lawn. ALWAYS run the machine around these objects. NEVER run the machine over foreign objects.
- DO NOT operate power tools in explosive atmospheres, such as in the presence of flammable liquids, gases or dust. Power tools may create sparks, which may ignite the dust or fumes.
- This machine is only for outdoor use.

# Safety Information

## During Use

- Do not operate the machine in confined areas where there may be a risk of crushing the operator between the machine and another object.
- Never attempt to make any adjustments, while the machine is running.
- You must switch off the machine:
  - Before checking or working on the machine.
  - When transporting the machine.
  - Whenever you leave the machine unattended.
  - If the machine starts to vibrate abnormally.
- **WARNING!** If something breaks or an accident happens whilst working, you must turn off the machine immediately and move the machine away to prevent further damage. If an accident happens with injuries or third parties are injured, carry out the first aid measures most suitable for the situation immediately and contact the medical authorities for any necessary health care. Carefully remove any debris that might cause damage or harm persons or animals should it not be seen.
- After striking a foreign object, stop the machine immediately and inspect the machine thoroughly for damage. Repair the damage before continuing.
- Keep extension cord away from cutting elements.
- Never operate the machine with damaged guards or without the guard in place.
- Keep hands and feet away from the cutting means at all times especially when switching on the motor.

# Safety Information

## Batteries (Where Present)

Batteries present a risk if they become damaged by the possible leaking of electrolyte. This electrolyte is an acid and can cause serious burn injuries. Care should be taken when working on or near them. **NOTE:** the electrolyte may be in a liquid or gel form.

Should you come in to contact with electrolyte you should;

- Remove all clothing contaminated with electrolyte. If you cannot remove then saturate them in water.
- Get medical assistance as soon as possible.

You must advise the medical staff of the type of acid.

- Lead/acid battery = dilute sulphuric acid.
- Nickel/cadmium = potassium hydroxide alkali electrolyte.
- Use fresh running water to wash off excess electrolyte, continue this until medical assistance arrives. Make sure that you do not wash the electrolyte to another part of your body or face.
- If electrolyte comes in to contact with Eyes the electrolyte needs to be immediately washed away with large amounts of water. Make sure that you do not wash the electrolyte to another part of your face or body.
- Gasses from charging batteries are highly flammable and great care should be taken to charge in well ventilated areas.



- There is an explosion risk if the battery terminals are short circuited, when connecting/disconnecting ALWAYS exercise great care so that the terminals or battery leads are NOT allowed to touch and cause a spark. ALWAYS use suitable insulated tools.

## Electricity (Where Applicable)

**DANGER : ELECTRICITY CAN KILL – NEVER WORK ON LIVE / ENERGISED EQUIPMENT.**



- Prior to carrying out any maintenance work you MUST identify electrical isolation methods and isolate all electrical supplies.
- Prior to use and with all electrical supplies isolated, you MUST check all electrical cables, plugs and connectors for the following;
  - Are intact and have no signs of damage, to include but not limited to bare wires, chaffing, cuts and loose wiring.
  - If there are any signs of damage, the damaged item MUST be taken out of service until the damage has been repaired by an electrically competent person.
  - All trailing cables should be routed so as not to cause any kind of trip hazard.
  - NEVER work on or near electricity with wet hands, wet clothing and wet gloves.



# Safety Information

## Electricity (Continued)

- Power tools plug must match the outlet. Never modify the plug in any way. DO NOT use any adapter plugs with earthed (grounded) power tools. Unmodified plugs and matching outlets will reduce risk of electric shock.
- DO NOT expose this power tool to rain or wet conditions. Water entering a power tool will increase the risk of electric shock. DO NOT abuse the power cord. Never use the cord for carrying, pulling or unplugging the power tool. Keep the cord away from heat, oil and sharp edges or moving parts. Damaged or entangled cords increase the risk of electric shock. When operating a power tool, use an extension cord suitable for outdoor use. Use of a cord suitable for outdoor use reduces the risk of electric shock.
- **IMPORTANT:** Make sure that the electric circuit is fused, and that the power, voltage and frequency of the motor is supported by your mains supply. Also, make sure that your power supply is earthed. Connect your machine to earth. Never open the ON/OFF switchbox. However, if it should become necessary to do so, contact a qualified electrician. Make sure that you will never touch live contacts, specifically when you plug or unplug your machine. This machine and its power cord must never get into contact with water.
- Avoid body contact with earthed or grounded surfaces such as pipes, radiators, ranges and refrigerators. There is an increased risk of electric shock if your body is earthed or grounded.
- To prevent electric shock, use only with an extension cord suitable for outdoor use. For additional protection, the installation of a residual current device (RCD) having a rated residual operating current not exceeding 30mA is advisable.
- Before use, check that the extension cord is in good condition. When using an extension cord, make sure to use one heavy enough to carry the current your product will draw. An undersized cord will cause a drop in line voltage resulting in loss of power and overheating.
- Do not allow any part of the machine to make contact with water while it is in operation. If the appliance becomes wet while turned off, wipe dry before starting. Do not touch the appliance or its plug with wet hands or while standing in water. Wearing rubber boots offers some protection.
- Before use, check the supply and extension cord for signs of damage or aging. If the cord becomes damaged during use, disconnect the cord from the supply immediately. If the supply cord is damaged, it must be replaced by the manufacturer or a qualified person in order to avoid a hazard.

## Double-Insulated Appliances

In a double-insulated appliance, two systems of insulation are provided instead of grounding. No grounding means that it is already provided on a double-insulated appliance. Servicing a double-insulated appliance requires extreme care and knowledge of the system, and should be performed only by qualified service personnel. Replacement parts for a double-insulated appliance must be identical to the parts they replace.

# Safety Information

## Vibrations (Where Applicable)

- Prolonged use of hand held (operated) machines will cause the user to feel the effects of/from vibrations. These vibrations can lead to white finger (Raynaud's phenomenon) or carpal tunnel syndrome. This condition reduces the ability of the hand to feel and regulate temperature, causing numbness and heat sensations and may cause nerve damage and circulatory tissue death.
- Not all factors that lead to white finger disease are known, but cold weather, smoking and other diseases that affect blood vessels and blood circulation as well as large and long-lasting impact of shocks are considered factors in the formation of white finger. Note the following to reduce the risk of white finger and carpal tunnel syndrome;
- Wear gloves and keep your hands warm.
- Take regular breaks.
- All of the above precautions may help reduce the risk of white finger disease but not rule out the carpal tunnel syndrome. Long-term and regular users are therefore recommended to observe the condition of your hands and fingers. Seek medical attention immediately if any of the above symptoms should occur.

## Noise (Where Applicable)

- The operating noise of the machine can damage your hearing. When wearing protection such as earplugs or ear defenders to protect your hearing. Long-term and regular users are advised to have hearing checked regularly. Be especially vigilant and cautious when wearing ear protection because your ability to hear alarm warnings will be reduced.
- Noise emissions for this equipment is unavoidable. Carry out noisy work at approved times and for certain periods. Limit the working time to a minimum. For your personal protection and protection of people working nearby it is also advisable for them to wear hearing protection.



- See Certificate of Conformity section for Outdoor Noise declaration of conformity.

## Residual Risks

Even when tool is used as prescribed it is not possible to eliminate all residual risk factors. The following hazards may arise in connection with the tool's construction and design:

1. Damage to lungs if an effective dust mask is not worn.
2. Damage to hearing if effective hearing protection is not worn.

Health defects resulting from vibration emission if the power tool is being used over longer period of time or not adequately managed and properly maintained.

**▲ WARNING!** This machine produces an electromagnetic field during operation. This field may under some circumstances interfere with active or passive medical implants. To reduce the risk of serious or fatal injury, we recommend persons with medical implants to consult their physician and the medical implant manufacturer before operating this machine.

# Safety Information

## **Intended Use**

The HYSC1600E is an electric scarifier from HYUNDAI. The HYSC1600E has a working width of 36cm and is powered by a 1600W HYUNDAI motor.

This machine is a garden tool and precisely a pedestrian controlled grass trimmer. The machine is manufactured according to the latest safety requirements. Every precaution is only effective when it is followed exactly.

### **Intended Use**

This machine was designed and manufactured for ripping moss and weeds out of the soil and for loosening the soil, in areas in proportion to its working capacity, controlled by a pedestrian operator.

### **User Types**

This machine is intended for use by consumers, i.e. non professional operators. The machine is intended for "DIY" and domestic use only.

### **Improper Use**

Any other usage not in keeping with the above mentioned ones may be hazardous and harm persons and/or damage things. Examples of improper use may include, but are not limited to:

- Using the machine on surfaces other than grass.
- Transporting people, children or animals on the machine.
- Using the machine to tow or push loads.
- Using the machine for leaf or debris collection.
- Use of the machine by more than one person.

# Safety Information

## Personal Protective Equipment

**Appropriate Personal Protective Equipment (PPE), MUST be worn at all times when operating or repairing the machine. No protective equipment can ensure 100% protection.**

When selecting PPE, make sure it's CE marked and it suits the user in terms of size, fit, etc. If more than one item of PPE is worn at the same time, make sure they can be used together, e.g. wearing safety glasses may disturb the seal of a respirator, causing air leaks.



### **Hand Protection Must Be Worn**

Protective electrically non-conductive gloves are highly recommended when working.



### **Foot Protection Must Be Worn**

Non-skid heavy duty footwear are highly recommended when working.



### **Hearing Protection Must Be Worn**

Suitable safety hearing protection is recommended.



### **Eye Protection Must Be Worn**

Always wear safety glasses/goggles and/or face shields. Everyday eyeglasses have only impact resistant lenses; they are not safety glasses/goggles.



### **Protective Clothing Must Be Worn**

Do not wear loose clothing, gloves, scarfs, neckties or jewellery (rings, wrist watches), which can be caught in moving parts.



### **Head Protection Must Be Worn**

Wear a safety helmet with a safety visor.













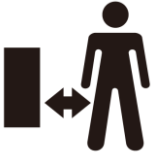


### **Face Shield Must Be Worn**

Wear a face shield to protect your face.

# Safety Information

## ⚠ Symbols On The Machine

We have provided safety messages in this manual and on the machine. This information alerts you to potential hazards that could hurt you or others. Please read these messages carefully. However, we may not have listed all of the possible hazards, you must also use your own judgement.

Symbol	Description	Symbol	Description
	Safety alert – Indicates a precaution, a warning or a danger.		Wear eye and hearing protection. For protection against injury, wear ear defenders and safety goggles.
	Do not expose to rain.		Class II tools symbol.
	Read operator's manual.		Keep bystanders at a safe distance away from the work area.
	This product complies with the European directives and an evaluation method of conformity for these directives was done.		Sharp blades can cut limbs
	Danger! Rotating blades – keep hands and feet away from moving parts.		Switch off and unplug the device before cleaning or performing maintenance on it.
	Keep bystanders at a safe distance away from the work area.		Do not use the machine if the cable is damaged.
	This product should not be disposed of in domestic waste. Please contact your local recycling centre for disposal service.		

# Unboxing

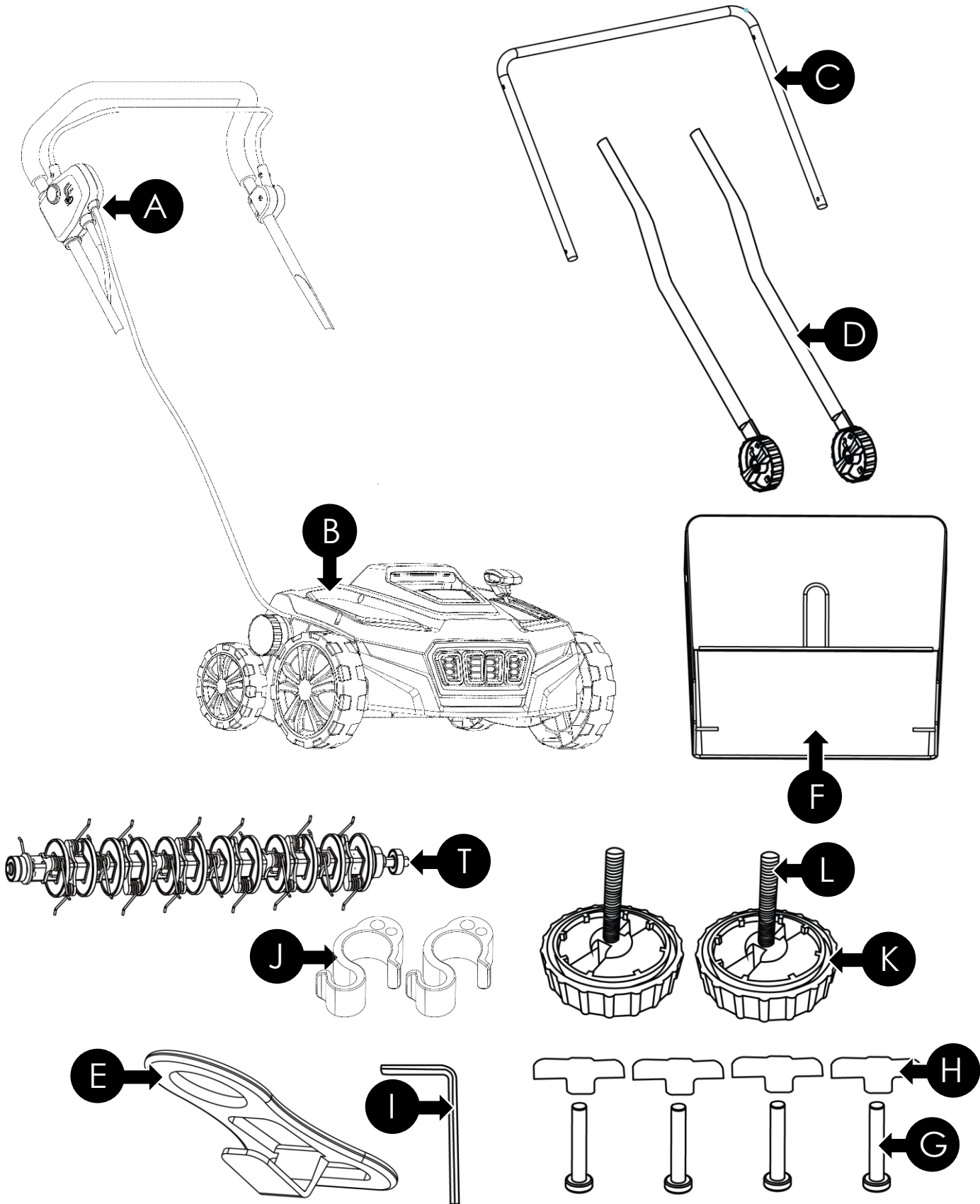
**⚠ WARNING** : Unboxing and assembling the machine should be done on a flat, surface with enough room. Disposal of the packaging should be done in accordance with the local regulations in force.

**⚠ WARNING** : Some of the packaging material may be harmful to children. Keep out of reach of children.

1. Carefully remove the product from the packaging and examine it for any sign of damage caused during shipping.
2. Lay the contents out and check them. If any part is damaged or missing, you must not use the machine. Contact HYUNDAI POWER PRODUCTS immediately.
3. You must keep the packaging material in case the machine needs to be returned or repaired.
4. Ensure that you have all the accessories and tools you need for assembly and operation including the suitable personal protective equipment.

# In The Box

\*Not To Scale



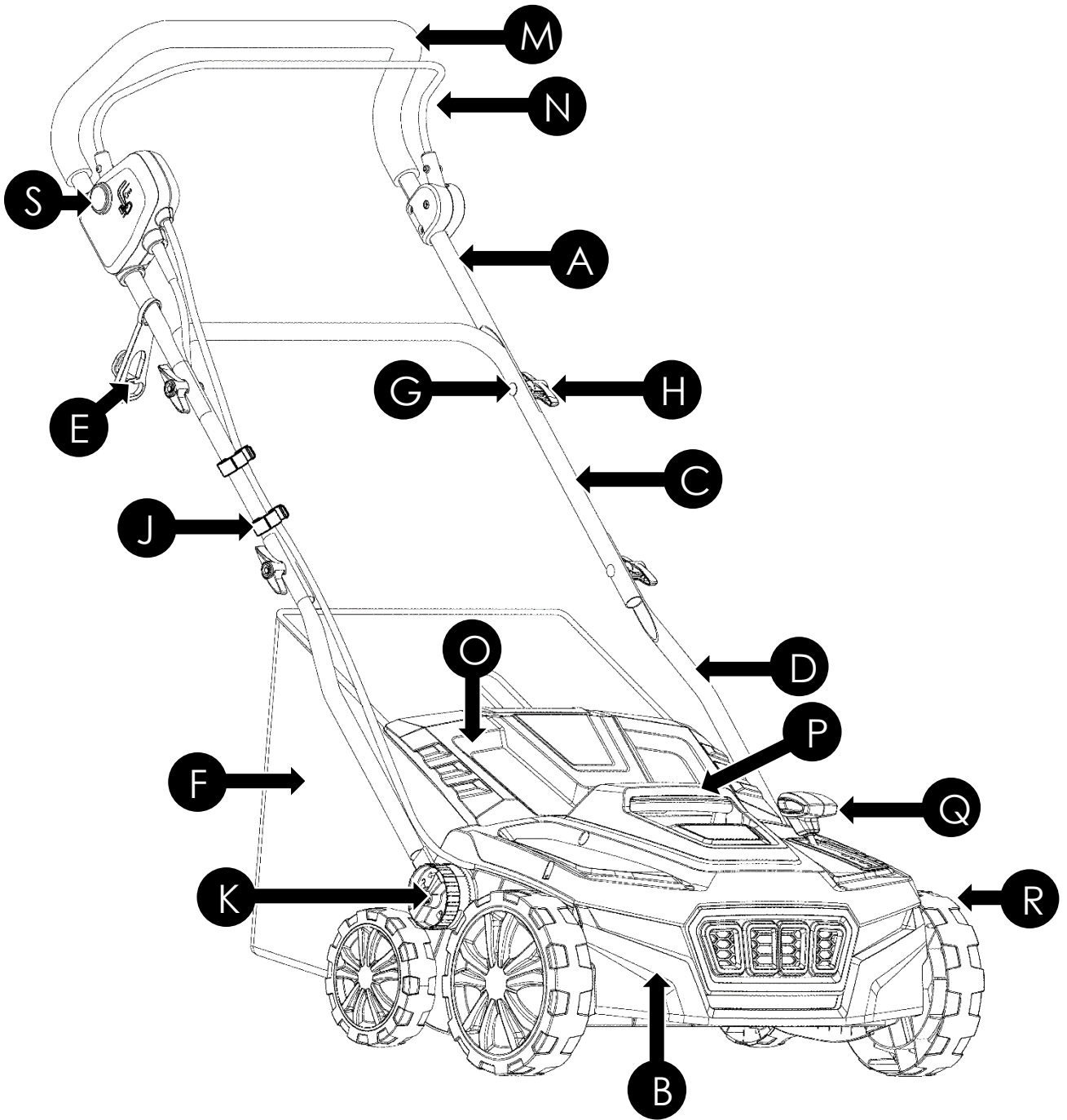
Descriptions on next page 

# Features

- A Upper Handle**  
You must hold the handlebar with both hands when in use.
- B Main Unit**
- C Middle Bar**  
The middle bar connects to the lowers bars.
- D Lower Bars x2**  
The lowers bars connect to the main unit.
- E Power Cable Relief Hook**  
This holds the cable in place while in use and prevents strain on the cable.
- F Grass Collector Bag**
- G 4 x Bolts**  
These secure the bars together.
- H 4 x Wing Nuts**  
These secure the bars together. You can loosen them to fold the handlebar down for storage.
- I Hey Key**
- J Cable Clips x2**  
This keeps the cable secure and tight to the machine.
- K Lower Bar Lock x2**  
This locks the lower bar into place.
- L Lower Bar Lock Bolt x2**
- T Raker Attachment**



# Features



Descriptions on next page 

# Features

- A Upper Handle**  
This connects to the middle bar.
- B Main Unit**
- C Middle Bar**  
The middle bar connects to the lowers bars.
- D Lower Bars x2**  
The lowers bars connect to the main unit.
- E Power Cable Relief Hook**  
This holds the cable in place while in use and prevents strain on the cable.
- F Grass Collector Bag**
- G 4 x Bolts**  
These secure the bars together.
- H 4 x Wing Nuts**  
These secure the bars together. You can loosen them to fold the handlebar down for storage.
- J Cable Clips x2**  
This keeps the cable secure and tight to the machine.
- K Lower Bar Lock x2**  
This locks the lower bar into place.
- M Main Handlebar**  
You must hold the handlebar with both hands when in use.
- N Operator Presence Control (OPC) Handle**  
This is a safety feature. The machine will stop if you let go of this lever.
- O Protective Rear Cover**
- P Front Handle**
- Q Depth Adjustment Handle**  
You can use this to adjust the working depth of the scarifier.
- R Wheel**
- S Safety Button**  
This helps prevent the machine starting accidentally.

# Assembly

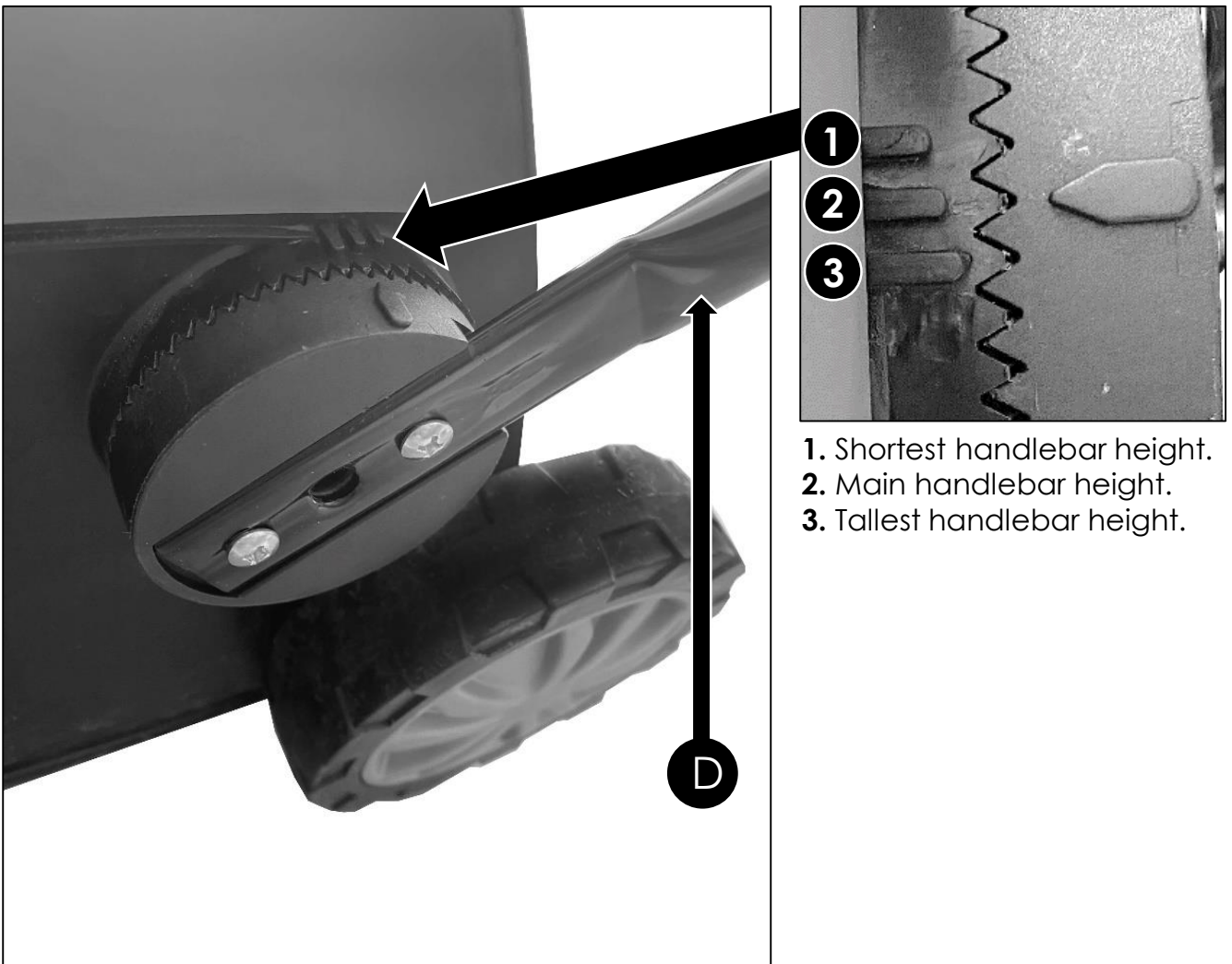
## Assembly Overview

There are 8 steps to the assembly:

- STEP 1.** Attach The Lower Handles
- STEP 2.** Attach The Middle Bar
- STEP 3.** Attach The Upper Handle
- STEP 4.** Attach Cable Clip
- STEP 5.** Assemble The Grass Collector
- STEP 6.** Attach The Grass Collector
- STEP 7.** Cable Relief Hook
- STEP 8.** Working Depth Adjustment

## STEP 1 : Attach The Lower Handles

1. Slot the lower bars (**D**) into place on the main unit. You can choose from 3 different handlebar heights. You can choose the height by aligning the arrow with the desired height option.



1. Shortest handlebar height.
2. Main handlebar height.
3. Tallest handlebar height.

# Assembly

## STEP 1 : Attach The Lower Handles (Continued)

2. Screw in the lower bar lock (K) until it is tight and secure. Turn clockwise to lock and anti-clockwise to unlock.



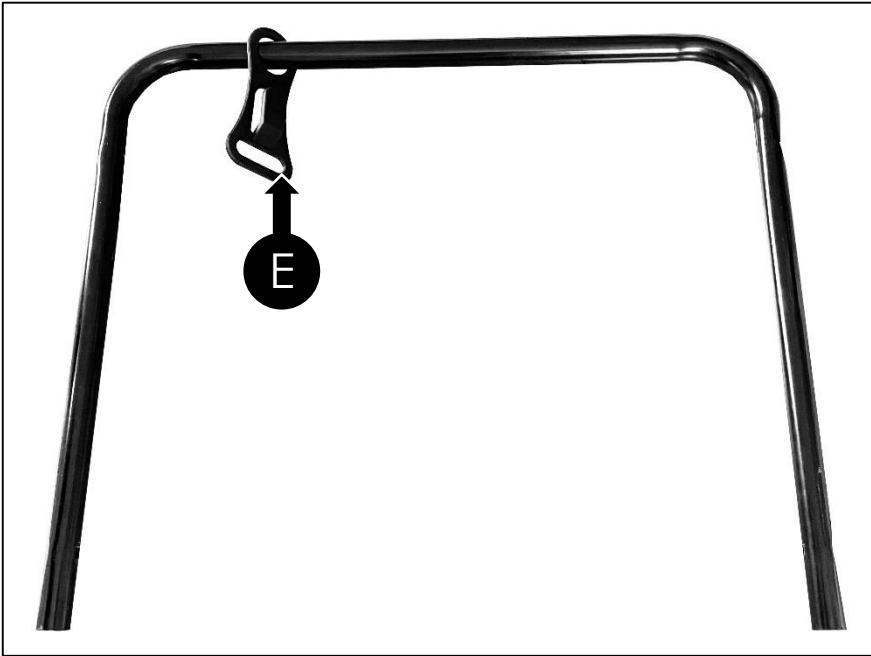
3. The scarifier should now look like the image below.



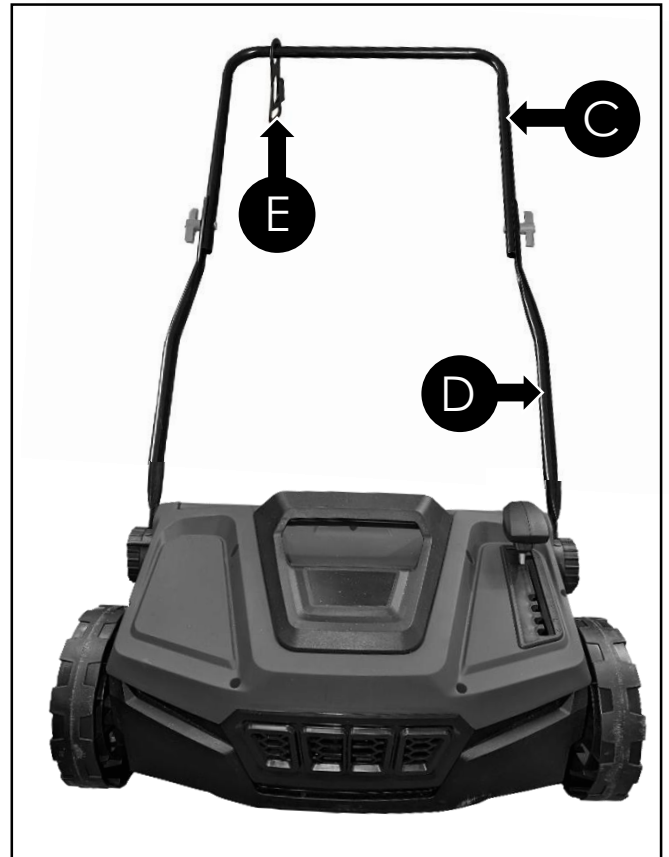
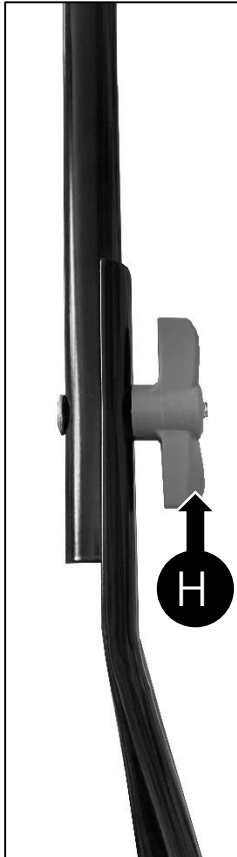
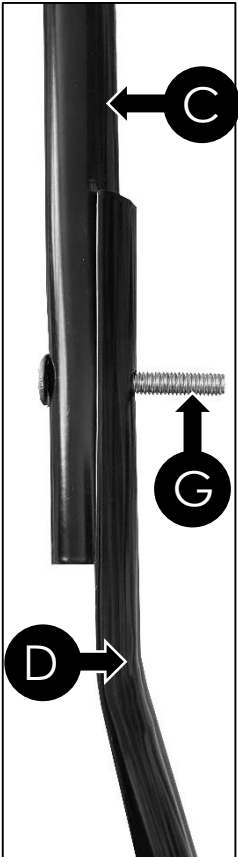
# Assembly

## STEP 2 : Attach The Middle Bar

1. Slide the cable relief hook (E) onto the middle bar (C).



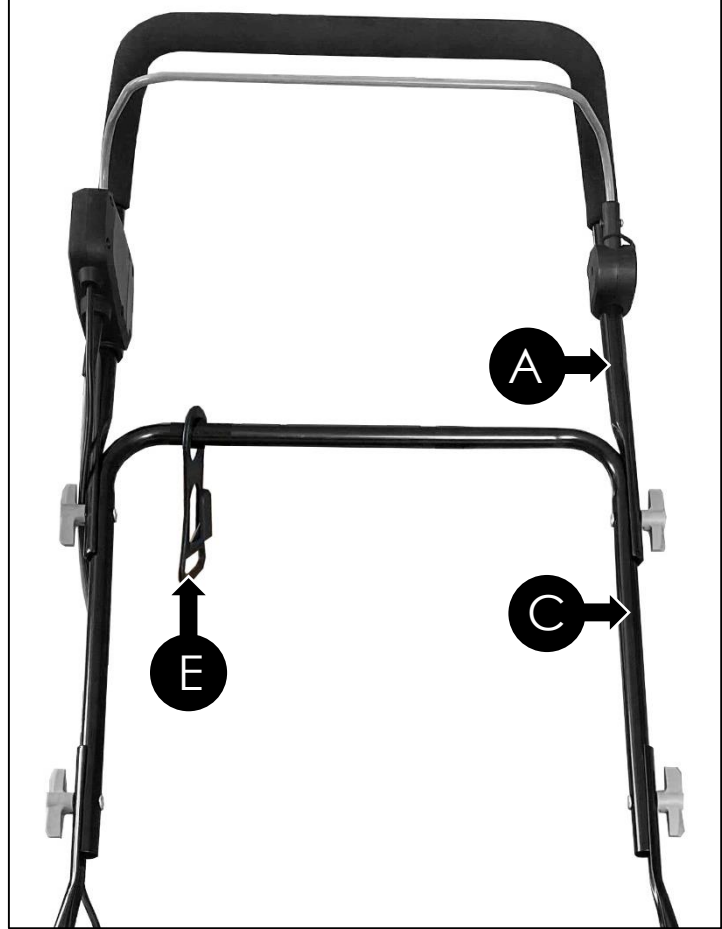
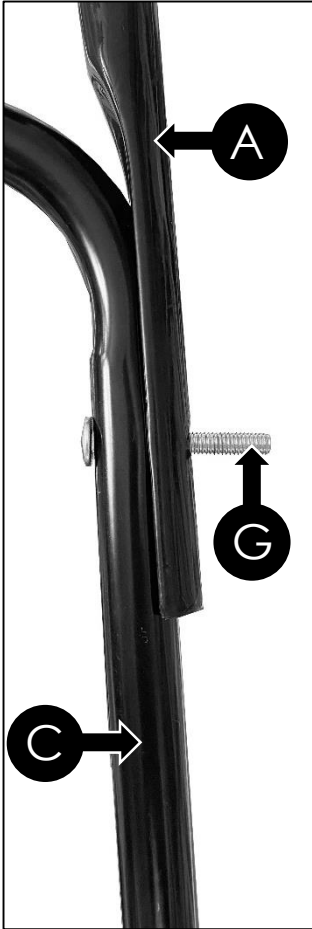
2. Connect the middle bar (C) to the lower bars (D) using the wing nut (H) and bolt (G).



# Assembly

## STEP 3 : Attach The Upper Handle

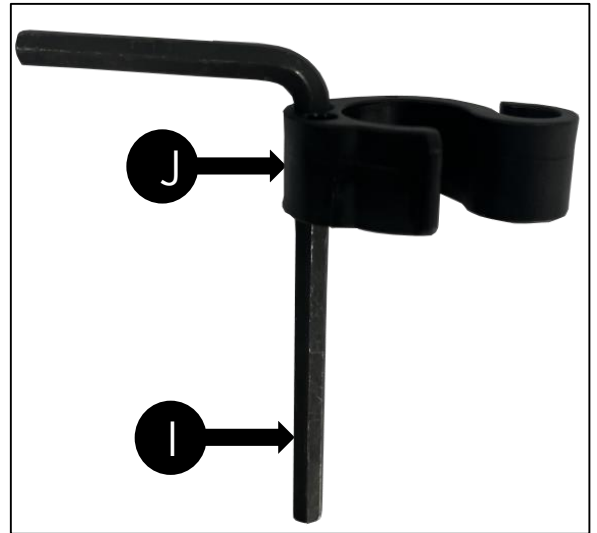
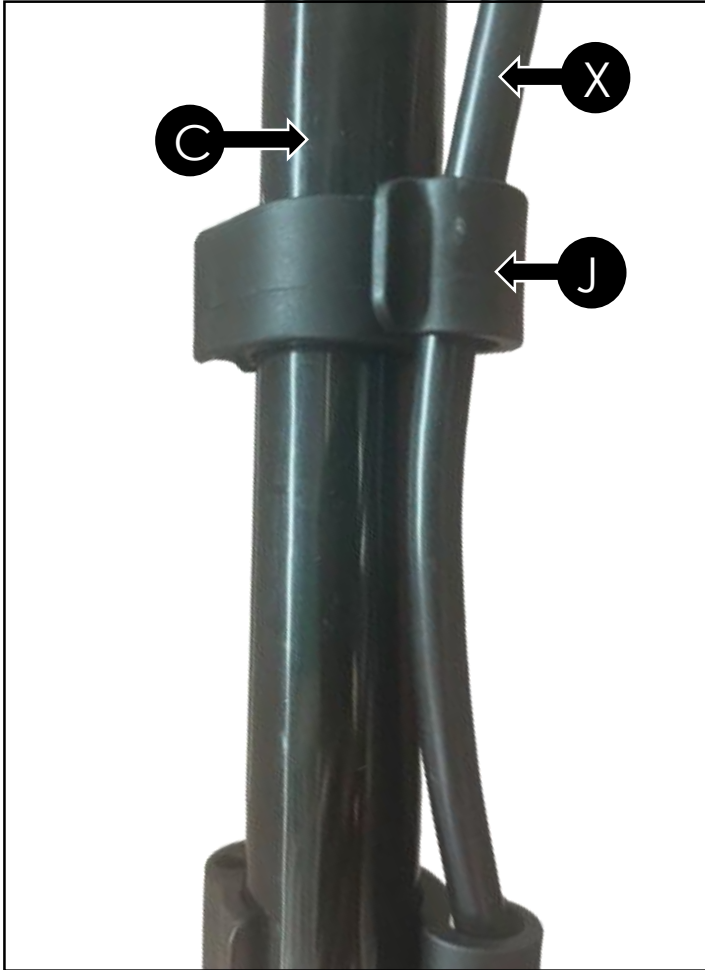
1. Connect the upper bar (A) to the middle bar (C) using the wing nut (H) and bolt (G). Make sure the upper bar is attached the correct way as shown in the image.
2. Make sure that the cable relief hook (E) is on the middle bar (C).



# Assembly

## STEP 4 : Attach Cable Clip

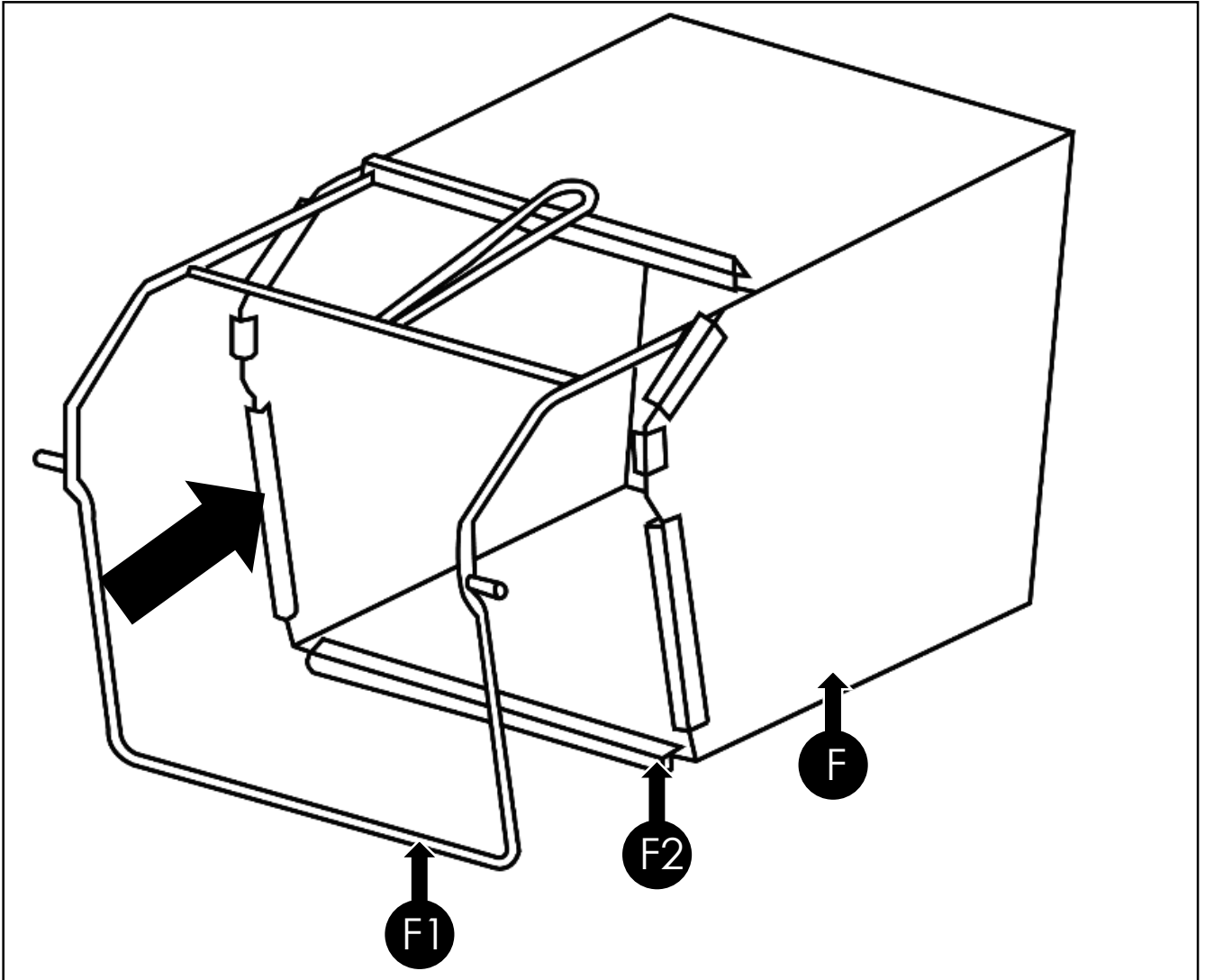
1. Clip the power cord (**X**) onto the middle bar (**C**) using the cable clip (**J**). This will keep the cable secure and tight to the machine.
2. You can also store the hex key (**I**) in the cable clip (**J**) as shown in the image.



# Assembly

## STEP 5 : Assemble The Grass Collector

1. Place the metal frame (**F1**) into the collection bag (**F**). Attach all fasteners (**F2**) and make sure they are secure.



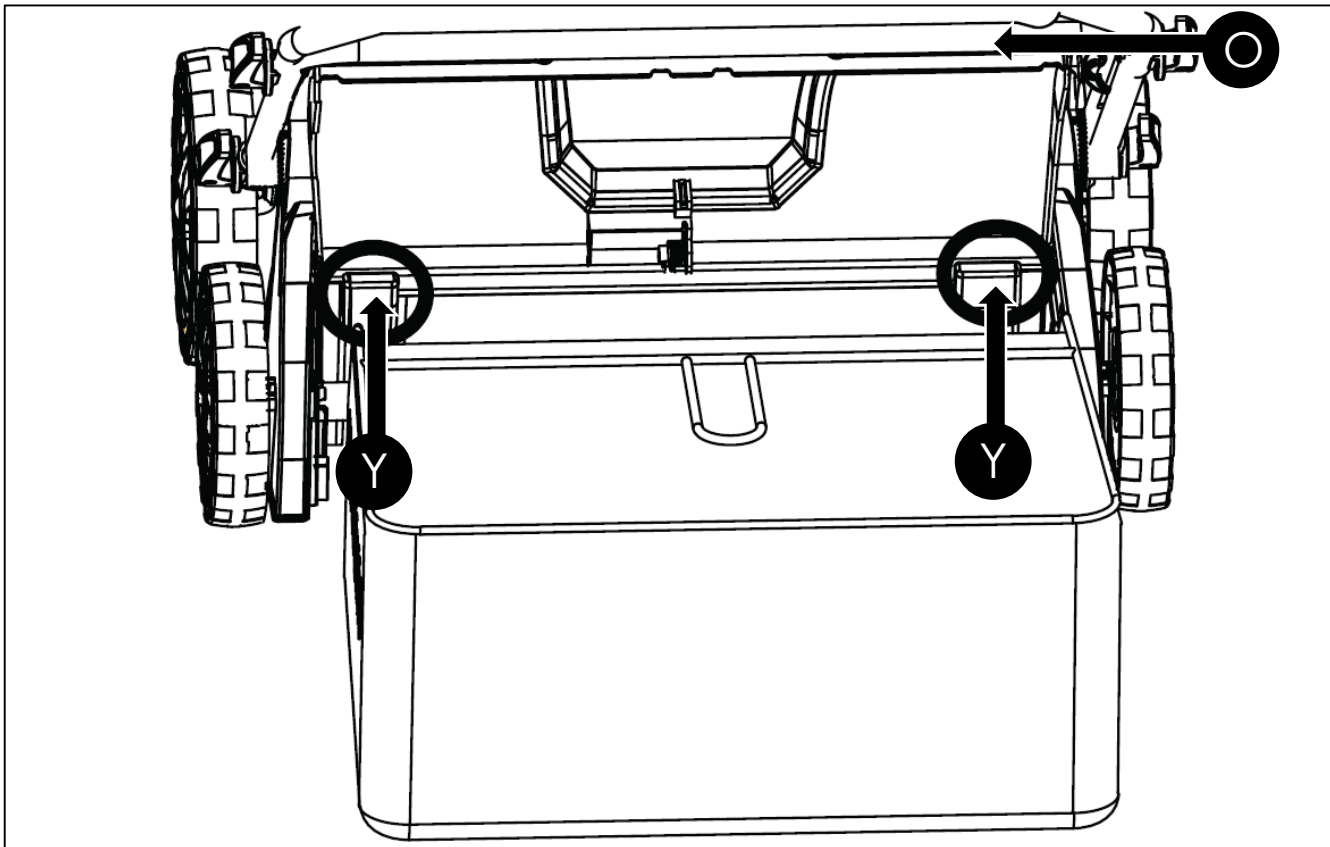


# Assembly

## STEP 6 : Attach The Grass Collector

**⚠ You must attach the grass collector before use.**

1. Make sure the grass collector is correctly assembled.
2. Lift up the protective rear cover **(O)**.
3. Make sure that the rear chute is clear and free of debris.
4. Clip the grass collector onto the hooks **(Y)**.
5. Place the protective rear cover **(O)** on top of the collection bag **(F)** and check that the collection bag is fitted correctly.



### To Remove

1. Lift up the protective rear cover **(O)**.
2. Lift the grass collector off the hooks **(Y)**.
3. Empty the contents of the bag and replace before resuming work.

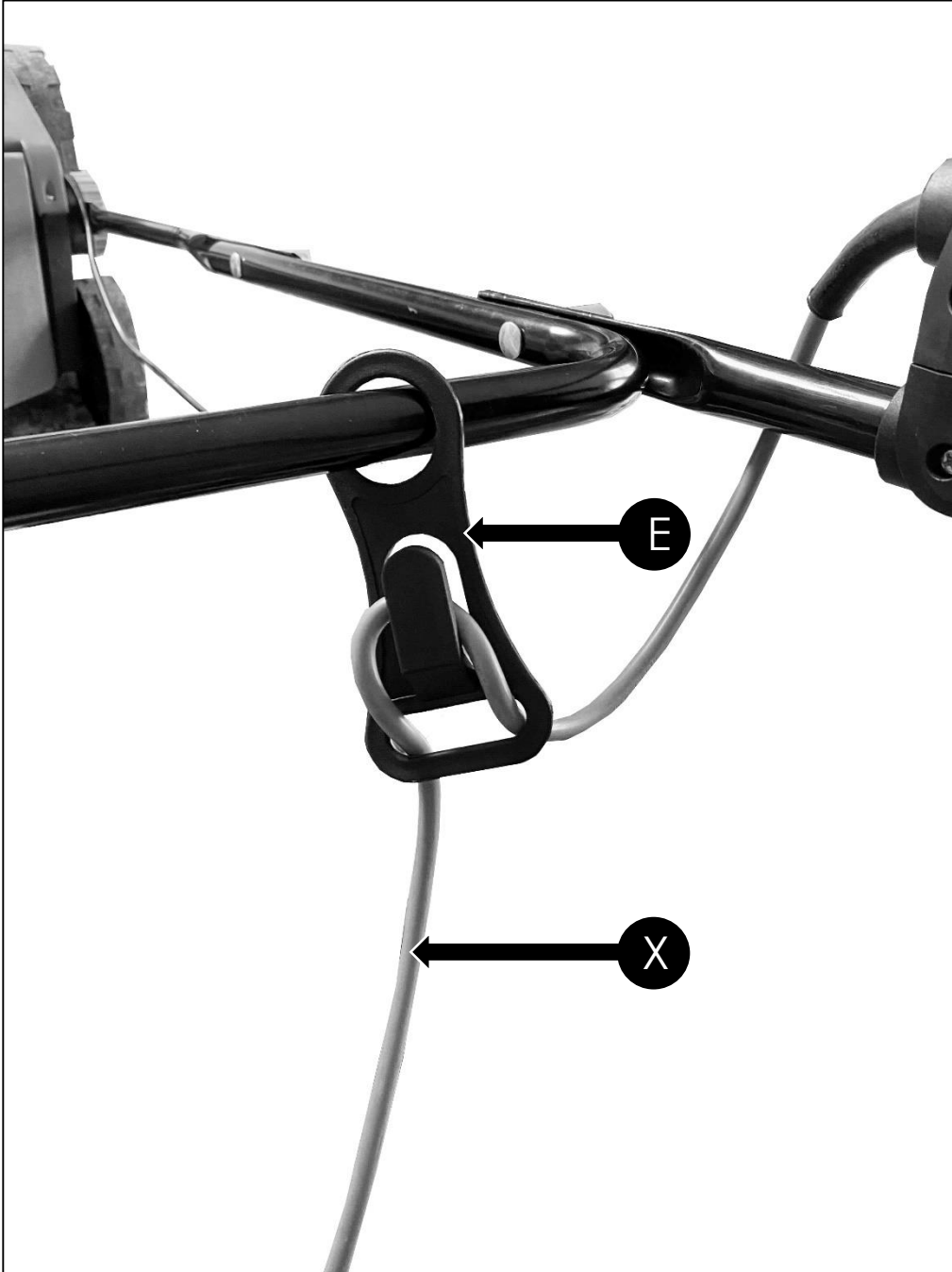
# Assembly

## STEP 7 : Cable Relief Hook

**⚠ Make sure the machine is disconnected from power before you do this**

**This holds the cable in place while in use and prevents strain on the cable.**

1. Make a small loop in the power cable **(X)**.
2. Put the loop through the hole in the cable relief hook **(E)**.
3. Slowly pull the loop to remove slack.



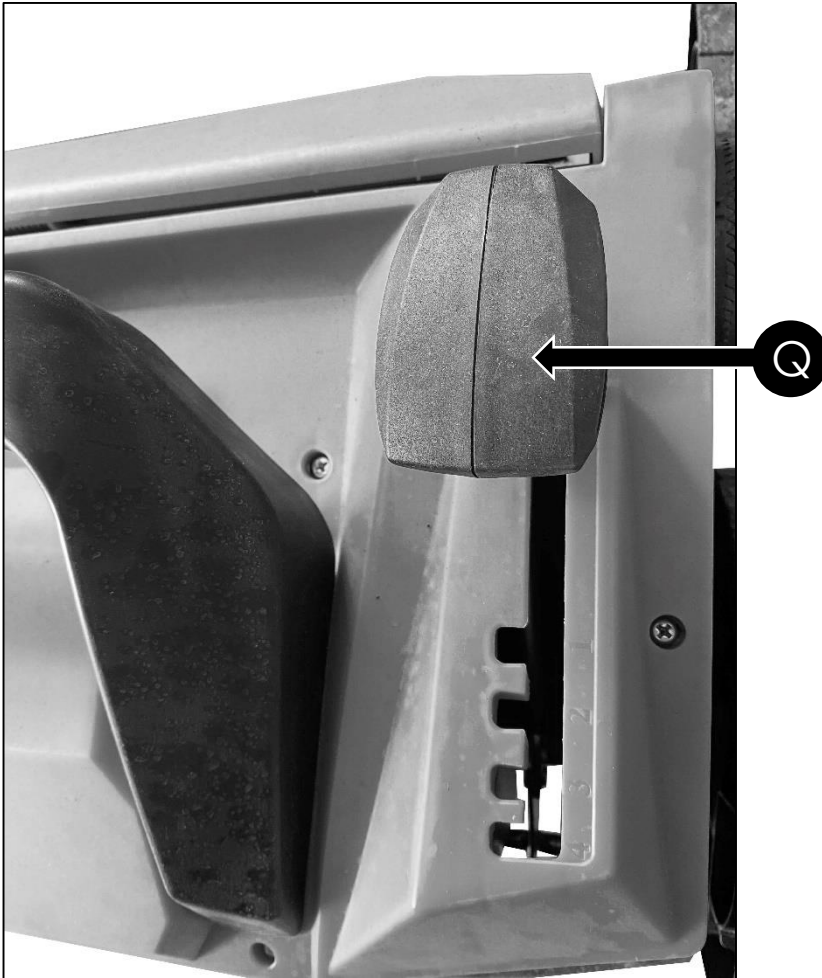
# Assembly

## STEP 8 : Working Depth Adjustment

The working depth is adjustable to 5 heights (-12mm, -9mm, -6mm, -3mm and +6mm).

Be careful not to use the scarifier at too deep a setting. If there is excessive strain on the motor, it will lose speed and be less efficient.

1. Push the depth adjustment handle (Q) forwards or backwards to adjust the height.



### **⚠ IMPORTANT!**

**Note: The spring cartridge must only be used in highest three positions.**

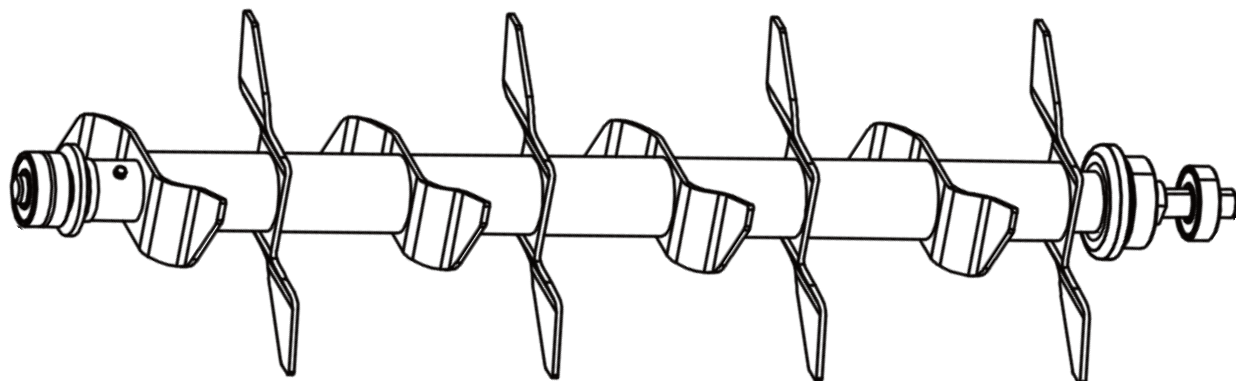
If you are to use it too deep, the efficiency will be reduced and spring damage may occur after prolonged use. The springs are made to remove the grass and moss from the surface. It is not necessary to go deeper into the soil.

The lowest two positions are used for the blade cartridge for heavier moss removal and scarifying.

# Operation

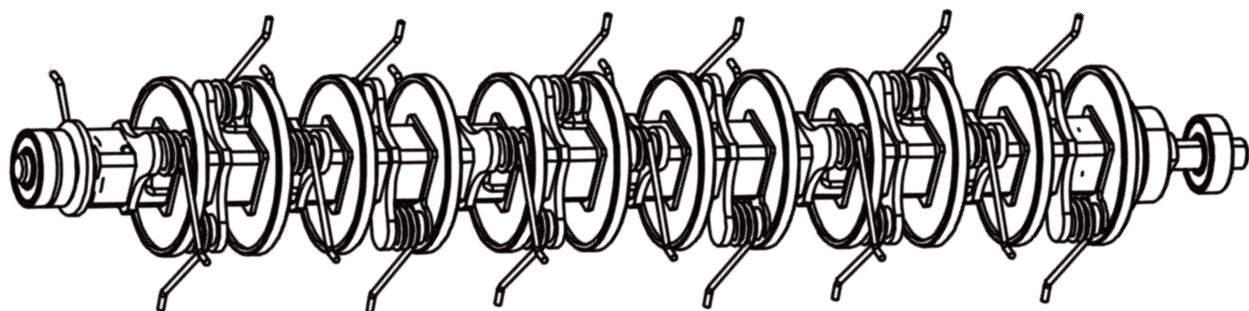
## Using The Scarifier (Rigid Tines)

1. By scarifying you remove the hardened surface, grass felt and flat-growing weeds and the crusted over grassroots are loosened up. The lawn will start to breathe again and assimilate the nourishing substances, oxygen and water. This also prevents the establishing of bacteria in the lawn during the winter.
2. Cut the grass to a height of about 40mm before scarifying. The lawn must be dry when using the machine. The best time for scarifying is any time during the vegetative season, from April through to September. Scarify it at least once a year. We recommend using a fertilizer straight after ailing if you want a green carpet like lawn.



## Using The Raker (Springs)

1. By raking you remove the dead matter, moss and weed which disfigures a lawn. The build up of dead grass provides a mat of absorbent fibres which prevents water getting through to the ground.
2. Do not force your rake through grass that is longer than 75mm. The lawn must be dry when using the machine. It's recommend that this is used at the beginning and the end of each grass cutting season to give your lawn a thorough raking. This could also be used after each mowing to remove any grass cutting that may be left by your mower.



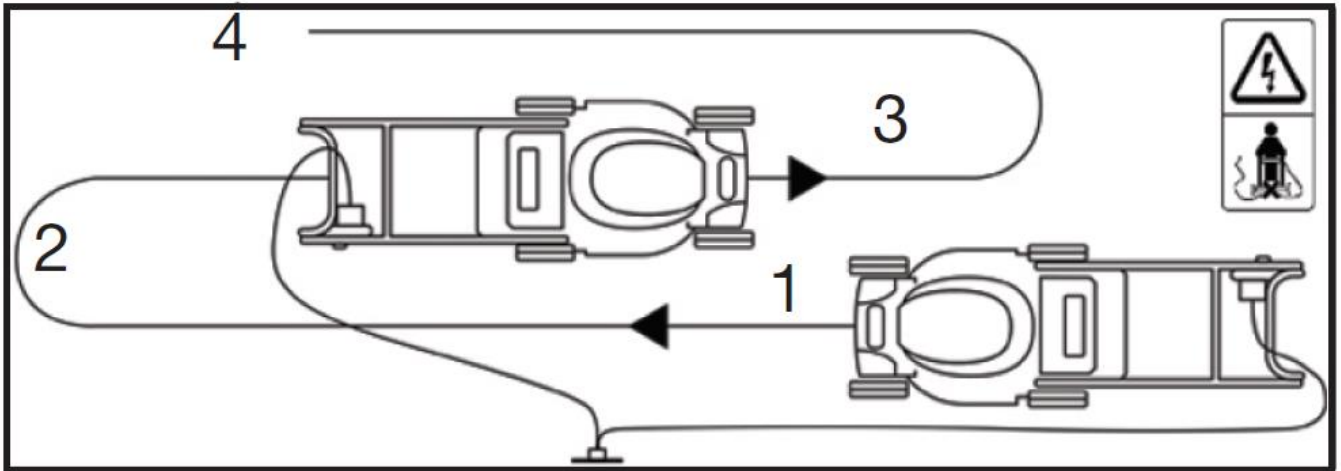
# Operation

## Working Direction

We recommend to use your machine as outlined below to achieve optimum results and to reduce the risk of cutting the mains cable.

**⚠ WARNING! DO NOT WORK TOWARDS THE CABLE.**

1. Place the bulk of the mains cable close to the starting point.
2. Move from position 1 to position 2.
3. Turn right and proceed towards position 3.
4. Turn left and move towards position 4.
5. Repeat the above steps as required.



## What Is Scarification

Scarification is the removal of moss, lawn clippings and dead grass blades from the stem of the grass to maintain a healthy growing environment. It is intensive airing of the lawn surface.

- Perfect for revitalising and reviving the most tired and spongiest of lawns.
- It is important to do this because the lawn gradually gets covered which results in a reduced amount of oxygen getting to the grass.
- The lawn will be able to absorb water better and it prevents water logging.
- Ventilation is important so that the lawn can absorb nutrients and it needs air to be able to breathe.

## How Does It Work

### • Before Scarification

Over time, your lawn collects lawn clippings, moss, etc. These create a seal and do not allow water, air and nutrients into the root of the grass.

### • During Scarification

Scarification removes moss, lawn clippings, and dead grass blades from the stem of the grass to maintain a healthy growing environment.

### • After Scarification

After scarification, the lawn will be able to absorb water and oxygen better. It will also absorb nutrients and your lawn will be able to breathe.

## Scarification

The steel blades are specially designed to remove moss, thatch and dead grass. During use, the blades penetrate the ground to ensure the lawn absorbs nutrients better.

## Raking

The rake rotates and during aeration, the surface of the ground is scratched. This improves water drainage and the absorption of oxygen.

## For Best Results

- For best results, your lawn should be scarified every 4-6 weeks.
- We recommend scarifying the lawn in Spring and Autumn.
- We recommend aerating the lawn during the entire growing period.

# Operation

## Before Starting Work

1. Check the condition of the cable, if damaged do not use.
2. Ensure that no objects or branches are trapped into the machine.
3. Ensure the work area is tidy and free of any obstacles.
4. Never operate the machine if it is damaged in any way.

## Starting

**⚠ YOU MUST read and understand the full safety instruction manual before starting the machine.**

1. Before starting the motor, make sure the scarifier is on the lawn, but not sitting on long grass. Make sure the cable is well away from the cutting blade.
2. Connect to the mains power supply.
3. Press and hold the safety button **(S)**.
4. Pull the OPC lever **(N)** to the handle.
5. Release the safety button **(S)**.



# Operation

## Stopping

**⚠ WARNING :** Cutting elements continue to rotate for a moment after the motor is switched off. Do not touch the underside of the machine until the cutter has come to a standstill.

**⚠ WARNING :** Always switch off machine before placing it down.

1. Release the OPC lever (**N**).
2. Unplug from the mains supply.





# Maintenance & Care

## General Maintenance

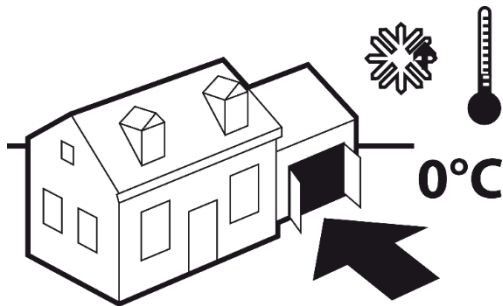
**⚠ WARNING : Turn OFF the machine, allow all moving parts to come to a complete stop, and disconnect the power cord before maintaining the machine. You need to wear proper clothing and protective gloves whenever your hands are at risk.**

- Keep all nuts, bolts and screws tight to be sure the machine is in a safe working condition.
- Replace worn or damaged parts for safety. Only use manufacturer-recommended parts and accessories.
- To keep your machine in good working condition, you can use spray lubricating oil along the blade, on the top of the blade, and the bottom of the blade.

## Storage

**⚠ Keep the machine stored in a dry, level area away from damp, moisture and rain fall. Allow the machine to cool down before storing.**

- Make sure the machine is clean and dry before storing.
- Make sure the machine is stored away from direct sunlight. Store indoors or in a safe, locked protected area during severe weather and winter months.
- Ensure the machine is stored in a position, where any persons cannot step on to attempt to reach items up high, due to risk of movement.
- DO NOT store the machine near an ignition source, such as a wood stove, gas or electric heater, or an appliance or heater with a pilot light.
- Store the machine out of reach of children or anyone who is not familiar with operation.
- DO NOT stack other items on top of the machine when in storage.



## Cleaning

**⚠ Always remove the electric plug from the mains supply before any cleaning is undertaken.**

- Remove any grass and mud after each use to prevent it from drying. Use a clean cloth to remove dirt, grease, etc.
- DO NOT use any water on any part of the main machine.
- Avoid using solvents when cleaning plastic parts. Most plastics are susceptible to damage from various types of commercial solvents and may be damaged by their use.
- Always ensure that ventilation openings are kept clear of debris.

# Maintenance & Care

## The Blade

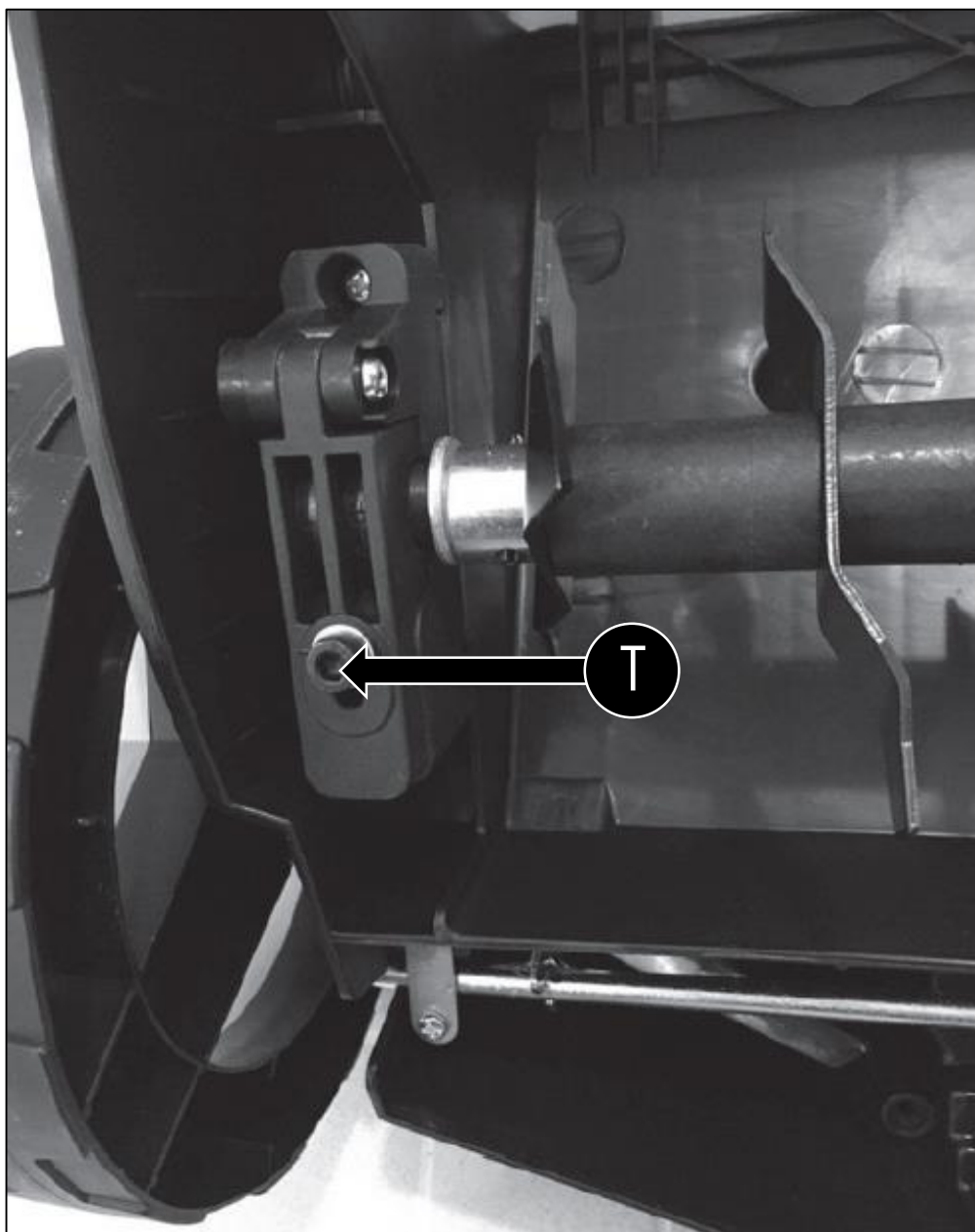
**⚠ WARNING! Always wear protective gloves when working with the blade.**

- Check the blade. The blade should always be sharp. At regular intervals, check the tightness of all nuts, bolts and screws.
- If the blade hits an obstacle, check for damage and if the machine vibrates badly, stop the machine and take it to a service dealer.

## Replacing Blades

**⚠ The cylinders may cause injuries. Prior to replacement, disconnect the machine from the power supply and wait for the blades to stop completely. You must always wear gloves to protect your hands.**

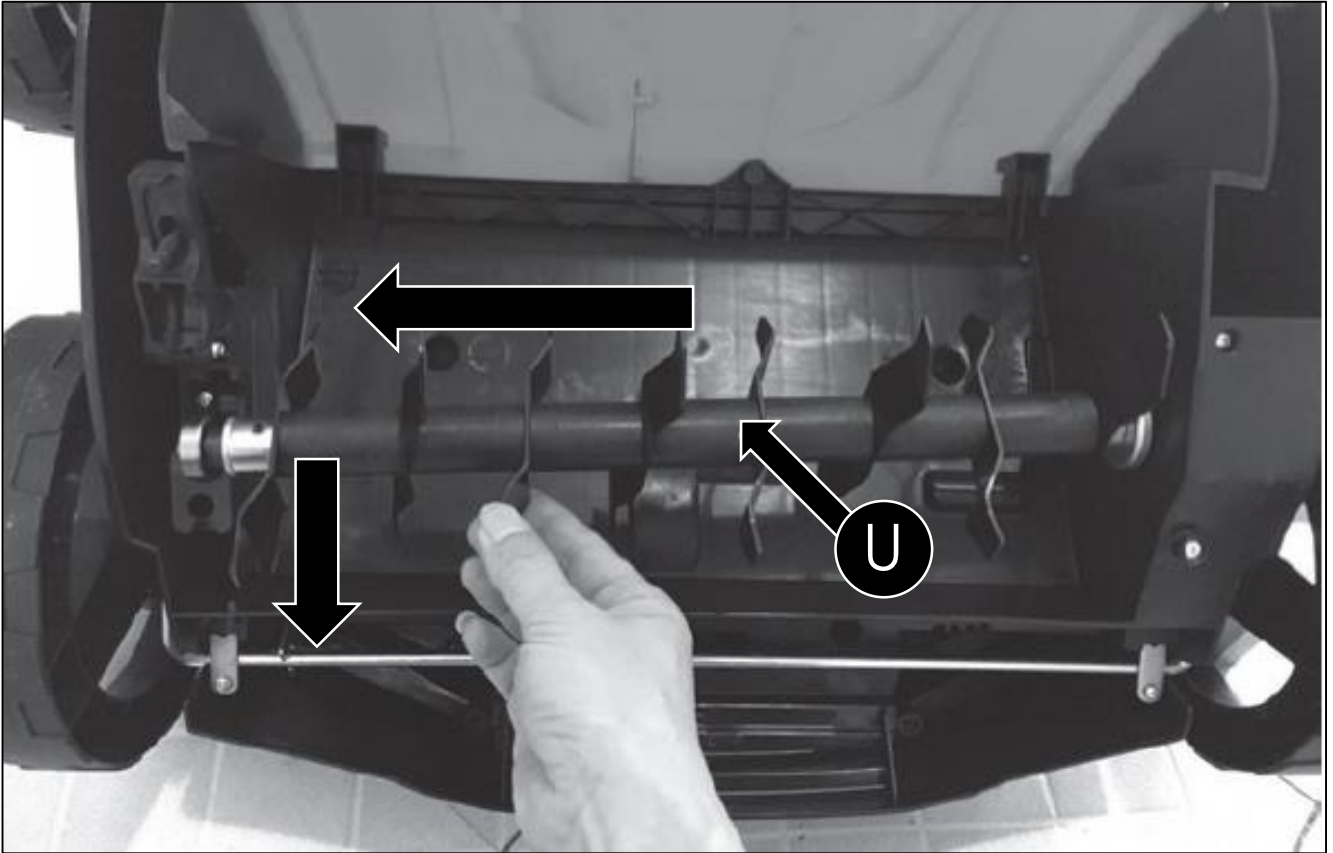
1. Screw out bolt (T) on the underside of the chassis.



# Maintenance & Care

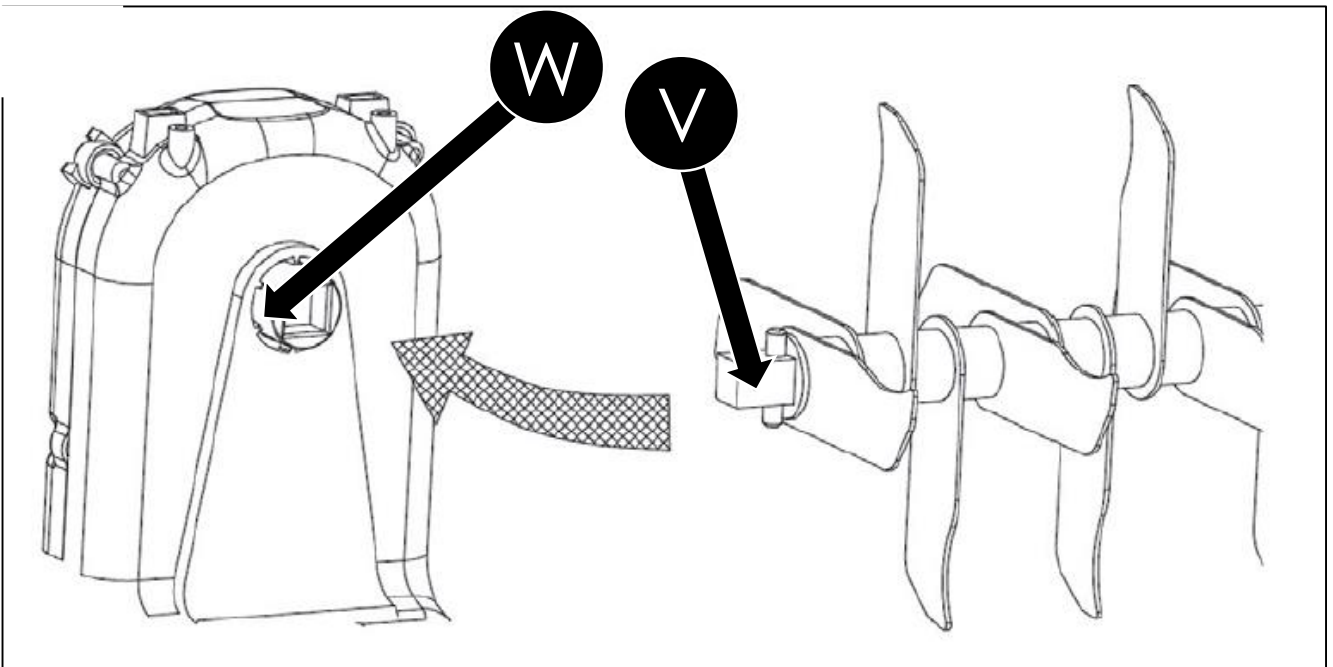
## Replacing Blades (Continued)

2. Lift the cylinder (**U**) at an angle and pull it out.



3. Slide the second cylinder onto the drive shaft so that the pin (**V**) fits into the respective part of the drive shaft (**W**).

4. Tighten the screw (**T**) to secure again.



# Maintenance & Care

## Troubleshooting

**⚠ NOTE : All corrective actions should be carried out by suitably qualified person/s.**

<b>Problem</b>	<b>Possible Cause</b>	<b>Possible Solution</b>
Machine will not start.	Fuse in mains plug blown / faulty	Check fuse in mains plug and replace is necessary.
	Internal wiring fault.	Contact your service dealer.
Machine functions intermittently.	Internal wiring fault.	Contact your service dealer.

# Technical Data

## Specification

<b>Model</b>	<b>HYSC1600E</b>
Voltage	230-240V
Frequency	50Hz
Rated Power	1600W
Working Width	36cm
Working Depth	+6mm to -12mm
Grass Collector Capacity	45L
Protection Class	IPX4
Cylinder Operating Speed	3500rpm
Sound Pressure Level dB(A) LpA	90.2
Guaranteed Sound Power Level LwA	108 dB(A)
Vibrations K=1.5m/s <sup>2</sup>	3.341m/s <sup>2</sup>
Net Weight	13.6kg
Gross Weight	15.3kg
Machine Dimensions (mm)(LxWxH)	1010x580x1110
Box Dimensions (mm)(LxWxH)	595x450x345

# Recycling & Disposal

## Recycling & Disposal

We do not offer a takeback scheme for the recovery of Waste Electrical Electronic Equipment (WEEE) & Batteries. Instead the responsibility to dispose of WEEE and/or Batteries is passed onto you by us.

So when it becomes necessary to dispose of your machine you must take it to your local Civic Amenity Site. For further information please contact your local Authority for disposal advice.

You **MUST** make sure that all unused oil and fuel is disposed of correctly either beforehand or at your local Civic Amenity Site.

- Under NO circumstances must any fuel or oil be put down any drains.
- Certain products contain WEEE waste which should not be disposed of in your domestic waste.
- You **MUST** recycle WEEE in accordance with your local authority or recycling centre.
- Certain products contain batteries which should not be disposed of in your domestic waste.
- You **MUST** recycle batteries in accordance with your local authority or recycling centre.
- Unwanted packaging and materials should be stored and taken to a recycling centre so it can be disposed of in a manner which is compatible with the environment.

We are a Member of the VALPAK National Compliance Scheme and our registration number is RM08660. For further information about disposal please contact your Local Authority.

You can also get more advice and guidance about recycling at the following website <http://www.recycle-more.co.uk>

Should you pass this product on to another user either sold or loaned, you **MUST** pass on this user manual. This will make sure that all other users can use and maintain this machine safely.

## Environmental Protection

1. Environmental protection should be a priority of considerable importance when using the machine, for the benefit of both social coexistence and the environment in which we live. Try not to cause any disturbance to the surrounding area.
2. You must comply with local regulations and provisions for the disposal of packaging, oils, fuel, filters, damaged parts or any elements which have a strong impact on the environment. This waste must not be disposed of as normal waste. It needs to be separated and taken to specified waste disposal centres where the material will be recycled.
3. You must comply with local regulations for the disposal of waste materials after mowing.
4. When disposing, do not pollute the environment with the machine, but hand it over to a disposal centre, in accordance with the local laws in force.

# EU Declaration Of Conformity

## Importer and Authorised Representative

Genpower Ltd  
Isaac Way, Pembroke Dock, SA72 4RW  
**Country of Origin:** China  
**Description:** Lawn Scarifier/Aerator  
**SKU Code:** HYSC1600E  
**Date of Issue:** 01/11/2023

## Regulations and Directives of Compliance

- 2006/42/EC The Machine Directive
- 2014/30/EU Annex II Electromagnetic Compatibility Directive
- 2006/95/EC Low Voltage Directive

## REFERENCES TO THE RELEVANT HARMONISED SAFETY STANDARDS USED OR REFERENCES TO THE OTHER TECHNICAL SPECIFICATIONS IN RELATION TO WHICH CONFORMITY IS DECLARED:

EN IEC 61000-3-11:2019  
EN ISO 12100: 2010  
EN 60335-1:2012+A11+A13+A1+A14+A2+A15  
EN 62233:2008  
EN IEC 55014-1:2021  
EN IEC 55014-2:2021  
EN IEC 61000-3-2:2019+A1  
AfPS GS 2019:01

## Statement of Declaration

We the importer and authorised representative of the product described confirm conformity within the provisions of applicable regulations and directives listed within this document.

## Signed on Behalf of Genpower Ltd

**Place of Issue:** Genpower Ltd

**Signatory Name:** Roland Llewellyn

**Position:** Managing Director

*R J Llewellyn*



# Notes



# Useful Information

## Check Out Our YouTube Channel

Our videos on YouTube include:

- Unboxing
- Assembly of your machine
- How to service your machine
- Products in use
- 'How To' videos
- Product features

Go to YouTube and search '**Hyundai Power Products**'.

## Warranty

Proof of purchase will be required before you make a warranty claim. Full warranty terms and conditions can be found on the HYUNDAI POWER PRODUCTS website:

**[www.hyundaipowerproducts.co.uk](http://www.hyundaipowerproducts.co.uk)**

## Manual Updates

Our manuals are constantly being reviewed and updated. Should you find an error, omission or something unclear, please contact us for assistance. We reserve the right to make any modifications without prior notice whenever necessary.

Our latest manuals are also placed online. All our manuals can be downloaded at:  
**[www.hyundaipowerproducts.co.uk](http://www.hyundaipowerproducts.co.uk)**

## Returning Your Product

If you are returning your product, please contact the dealer for their returns policy.

## Leaving A Review

We work very hard to give all of our customers the best possible service. If you have any problems, before leaving negative feedback, please contact us to give us a chance to resolve the issue. We would be delighted if you left us positive feedback! To leave a review, please go to:

**[uk.trustpilot.com/review/hyundaipowerequipment.co.uk](http://uk.trustpilot.com/review/hyundaipowerequipment.co.uk)**

## Ordering Spare Parts

You can find the spare part you are looking for at **[power-spares.co.uk](http://power-spares.co.uk)**

# Product Record

## Information

As soon as you have purchased the machine, we recommend that you fill out the following. If you need to contact an authorised dealer or customer service for information on servicing, you may need to provide the following information.

Date Of Purchase:.....

Dealer Name:.....

Dealer Phone:.....

Model Number:.....

Serial / Batch Number:.....

# Contact Us

## Need Help? Talk To Our Experts

Our friendly aftersales team will be more than happy to help you.



### Phone

Call our team on 01646 687 880



### Email

[aftersales@genpower.co.uk](mailto:aftersales@genpower.co.uk)



### Online Live Chat

Go to [www.hyundaipowerproducts.co.uk](http://www.hyundaipowerproducts.co.uk)



### Post

Genpower Ltd, Isaac Way, Pembroke Dock, Pembrokeshire, SA72 4RW.



### Hyundai Support Website

Go to [hyundaisupport.co.uk](http://hyundaisupport.co.uk)

# HYUNDAI

POWER PRODUCTS



GENUINE PRODUCT OF  
HYUNDAI CORPORATION

For Inquiries, Please Contact:  
GENPOWER LTD  
Isaac Way, London Road,  
Pembroke Dock, UK, SA72 4RW.  
T: +44 (0) 1646 687 880  
E: [info@hyundaipowerproducts.co.uk](mailto:info@hyundaipowerproducts.co.uk)  
[www.hyundaipowerproducts.co.uk](http://www.hyundaipowerproducts.co.uk)