

Masport®

CYLINDER LAWN MOWER

OPC 500 Golf Series

| <u>Mower</u> | <u>Model</u> | | <u>Engine</u> | <u>Shaft Dia</u> | <u>Introduction</u> | <u>Serial Number</u> |
|--------------|--------------|-----|---------------|------------------|---------------------|----------------------|
| 019053 | 500 - Golf | OPC | Intec 60 IC | 19 | Aug 2010 | 7353386 |
| 019085 | 500 - Golf | OPC | Intec 60 IC | 19 | Jan 2011 | 7413291 |
| 019086 | 500 - Golf | OPC | Honda GX160 | 20 | Jan 2011 | 7411242 |
| 019087 | 500 - Golf | OPC | Honda GC160 | 20 | Sep 2010 | ----- |
| 019103 | 500 - Golf | OPC | B&S 5.0 Hp | 19 | Nov 2013 | 7781799 |

Upturned Handle Used On:

019085
019086
019087
019103

MSV Handle Used On:

019053



Issue C.3
ECN 03139
July 2016 PB
REF # 719053S



Cylinder Mower 500
GOLF SERIES

Masport

Issue C.3
ECN 03139
July 2016 PB
REF # 719053S

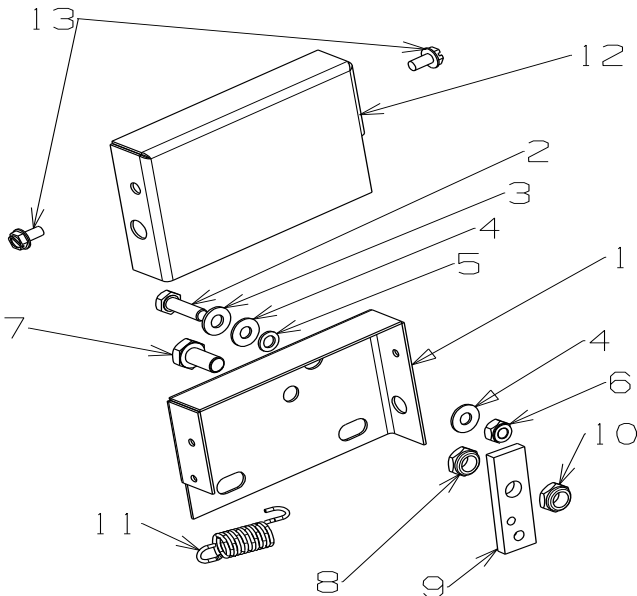
NOT ILLUSTRATED

| | | |
|---|--------------------------------|----------|
| 031888 | Decal, Caution S/N & Db 500 | 1 |
| 031891 | Decal, Trans Cvr 500/660 | 1 |
| 031894 | Decal, G/Catcher 500 | 1 |
| 031900 | Decal, Caution, Feet & Hands | 1 |
| 031992 | Owner Manual, Reel Mower | 1 |
| 569323 | Warranty Card MASP | 1 |
| 537967 | Washer-Rear Axle(If required) | 3 |
| Honda Engine's require | | |
| 503630 | Screw,S/T 10 x .4 | 2 |
| 503950 | Deflector-Honda Engine | 1 |
| Honda -Throttle Cable Routing Change TB129 | | |
| 503489 | Screw, Set M5 x 16 | 1 |
| 550500 | Clamp- Cable, Throttle Adapter | 1 |

731969
Catcher Assy, 500 Green 1



OPC Safety Cut Out Assy



| Item No | Part No | Description | Qty |
|---------|---------------|---------------------------|-----|
| 1 | 031880 | Safety Switch Housing | 1 |
| 2 | 501600 | Screw,Set M6 x 20 Hex | 1 |
| 3 | 501703 | Washer,Flat 6 x 14 x 1.2 | 1 |
| 4 | 031883 | Washer,Fibre 6 x 10 x 1 | 1 |
| 5 | 031884 | Washer,Fibre 6 x 14 x 1 | 2 |
| 6 | 501764 | Nut, M6 Nyloc x 6mm Thick | 1 |
| 7 | 501597 | Screw,Set M8 x 20 Hex | 1 |
| 8 | 503831 | Nut, M8 Nyloc x 6mm Thick | 1 |
| 9 | 031885 | Safety Switch Lever Arm | 1 |
| 10 | 503831 | Nut, M8 Nyloc x 6mm Thick | 1 |
| 11 | 031886 | Spring | 1 |
| 12 | 031881 | Safety Switch Cover | 1 |
| 13 | 580540 | Screw,S/T M5 x 10 POZ | 2 |

NOT ILLUSTRATED

| | | |
|---------------|---|----------|
| 031906 | Safety Switch Loom B&S | 1 |
| | (Fit spade onto item 2 prior to assembly) | |
| 031882 | Safety Switch Loom Honda | 1 |
| | (Fit spade onto item 2 prior to assembly) | |

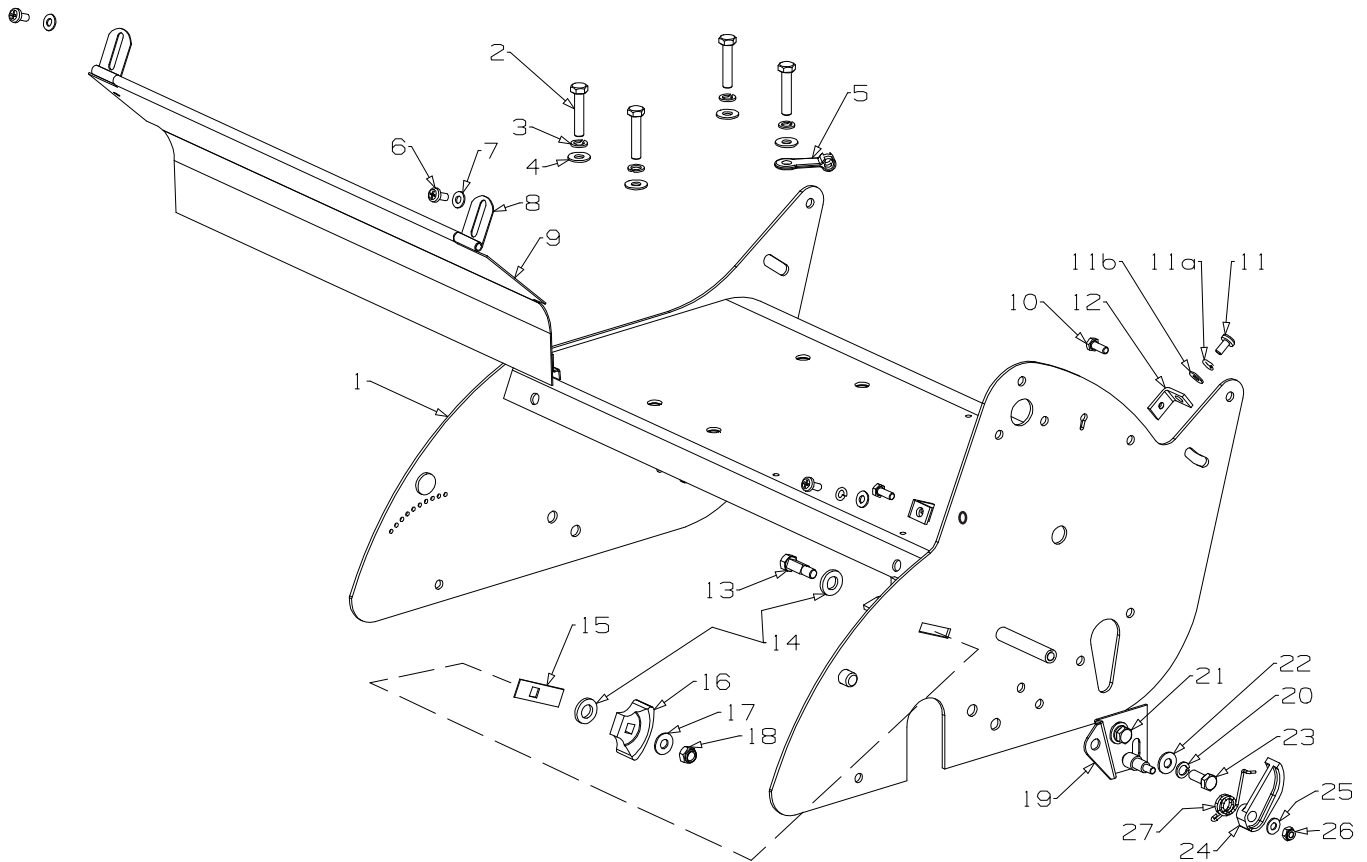


Cylinder Mower 500
GOLF SERIES

Masport

Issue C.3
ECN 03139
July 2016 PB
REF # 719053S

Chassis Assembly



| Item No | Part No | Description | Qty | Item No | Part No | Description | Qty |
|---------|---------|--------------------------|-----|---------|---------|--------------------------------|-----|
| 1 | 031590 | Chassis Assy- 500 Green | 1 | 14 | 006028 | Washer, Flt 12 x 22 x 3.0 | 2 |
| 2 | 501716 | Set Screw, M8 x 35 Hex | 4 | 15 | 002845 | Sealplate- Chain Adjuster | 1 |
| 3 | 503747 | Washer, Spg 8 | 4 | 16 | 002844 | Adjuster- Chain, Fixed Nylon | 1 |
| 4 | 501606 | Washer, Flt 8 x 19 x 1.6 | 4 | 17 | 501606 | Washer, Flt 8 x 19 x 1.6 | 1 |
| 5 | 581527 | Retainer, Clutch Cable | 1 | 18 | 501793 | Nut, M8 Hex Nyloc 8 Thck | 1 |
| 6 | 503591 | Screw, Pan M6 x 12 | 2 | 19 | 004942 | Plate Assy, Mounting | 1 |
| 7 | 501703 | Washer, Flt 6 x 14 x 1.2 | 2 | 20 | 503747 | Washer Spg 8 | 2 |
| 8 | 002589 | Bracket, Grass Chute | 2 | 21 | 501571 | Set Screw, M 8 x 16 Hex | 1 |
| 9 | 008901 | Deflector, Grass- 500 | 1 | 22 | 501606 | Washer, Flt 8x19 x 1.6 | 2 |
| 10 | 501702 | Set Screw, M6 x 16 Hex | 2 | 23 | 501571 | Set Screw, M8 x 16 Hex | 1 |
| 11 | 503591 | Screw, Pan M6 x 12 | 2 | 24 | 004963 | Adjuster- Chain, Tension Nylon | 1 |
| 11a | 500201 | Washer, Spg 6 | 2 | 25 | 501703 | Washer, Flt 6 x 14 x 1.2 | 1 |
| 11b | 501703 | Washer, Flt 6x14 x 1.2 | 2 | 26 | 501764 | Nut, M6 Hex Nyloc 6 Thck | 1 |
| 12 | 031915 | Bracket- Chain Cover | 2 | 27 | 004945 | Spring | 1 |
| 13 | 002848 | Bolt- Adjuster, Chain | 1 | | | | |

When ordering PLEASE QUOTE PART NUMBER & Description, NOT Illustration No.
Determine right or left hand side from standing in operating position (standing at handle)
Bold Text = Assemblies, **Bulleted Text** * = Items included in the Assemblies

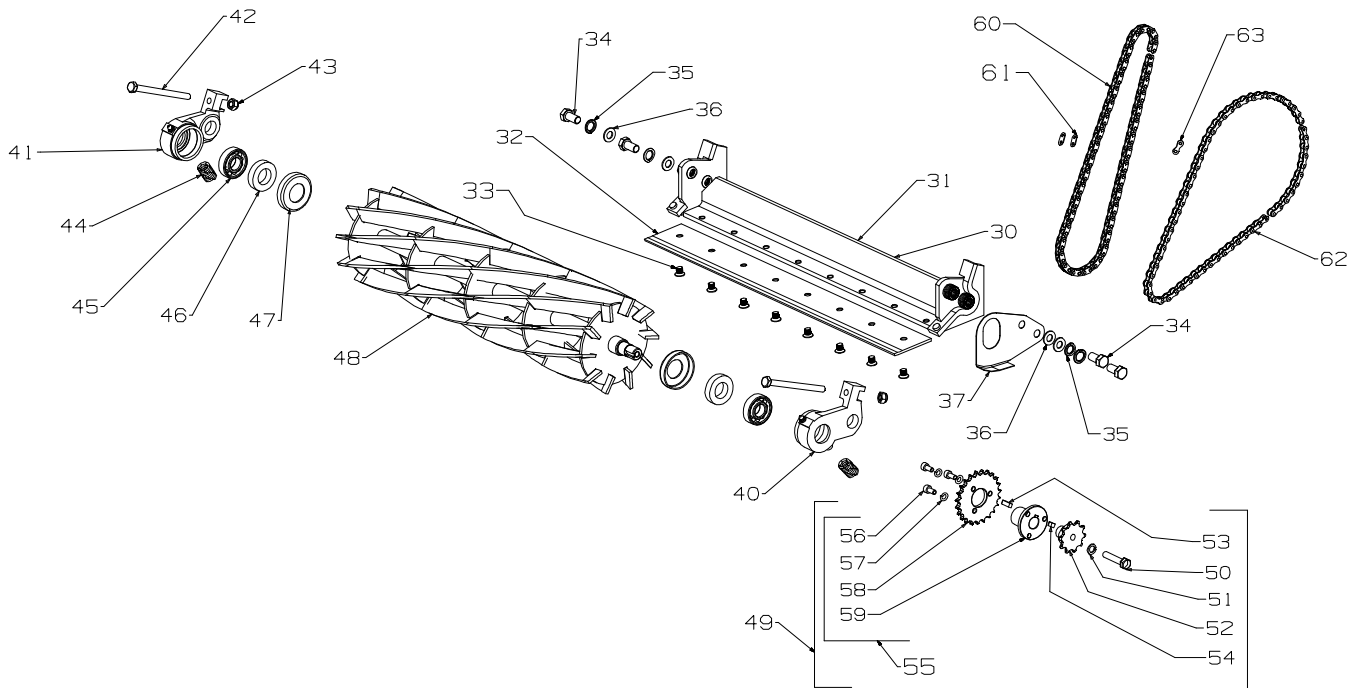


Cylinder Mower 500
GOLF SERIES

Masport

Issue C.3
ECN 03139
July 2016 PB
REF # 719053S

Reel Assembly



| Item No | Part No | Description | Qty | Item No | Part No | Description | Qty |
|---------|----------|---|-----|---------|----------|--|-----|
| 30 | 032035 | Backplate Brkt, Blade Assy 500 (incl items,31,32,33) | 1 | 52 | *032002 | Sproket 10T | 1 |
| 31 | *009862 | Bracket Assy Backplate 500 | 1 | 53 | *032005 | Key 5 x 5 x 16 | 1 |
| 32 | *032021 | Blade- Baseplate 500, Golf | 1 | 54 | *032004 | Key 5 x 5 x 10 | 1 |
| 33 | *008611 | Screw, CSK M8x10 Allen Head | 8 | 55 | *032045 | Sprocket Assy - 23 Key (incl items 56,57,58 and 59) | 1 |
| 34 | 501760 | Set Screw, M10x20 Hex | 4 | 56 | *502004 | Screw, Cap M6 x 12 | 3 |
| 35 | 503897 | Washer, Spg 10 | 4 | 57 | *500201 | Washer, Spg 6 | 3 |
| 36 | 501704 | Washer, Flt 10x19x1.6 | 4 | 58 | *032003 | Sprocket 23T | 1 |
| 37 | 002561 | Plate- Seal, Chaincase | 1 | 59 | *032001 | Boss Sprocket Key | 1 |
| 40 | 032023 | Housing- Assy Bearing, LH | 1 | 60 | 032044 | Chain- 0.23xP 3/8", 76P | 1 |
| 41 | 032024 | Housing- Assy Bearing, RH | 1 | 61 | (731972) | Link- Chain 3/8" | 1 |
| 42 | 006282 | Bolt, Set NF 5/16"x4" Hex | 2 | 62 | 004299 | Chain- 0.205x P 1/2", 59P | 1 |
| 43 | 007240 | Nut, NF 5/16 Hex Nyloc Type "P" | 2 | 63 | (731971) | Link- Chain 1/2" | 1 |
| 44 | 002581 | Spring- Baseplate | 2 | | | | |
| 45 | 503273 | Bearing, Ball 17x40x12 6203 2S | 2 | | | | |
| 46 | 002583 | Seal- Felt | 2 | | | | |
| 47 | 005211 | Cover- Dust, Cylinder Bearing | 2 | | | | |
| 48 | 032018 | Cylinder Assy Cutting-500, Keyed | 1 | | | | |
| 49 | (032006) | Sprocket Assy-10/23 | 1 | | | | |
| 50 | *501843 | Set Screw, M8 x 40 | 1 | | | | |
| 51 | *503747 | Washer Spg 8 | 1 | | | | |

When ordering PLEASE QUOTE PART NUMBER & Description, NOT Illustration No.
Determine right or left hand side from standing in operating position (standing at handle)
Bold Text = Assemblies, **Bulleted Text** * = Items included in the Assemblies

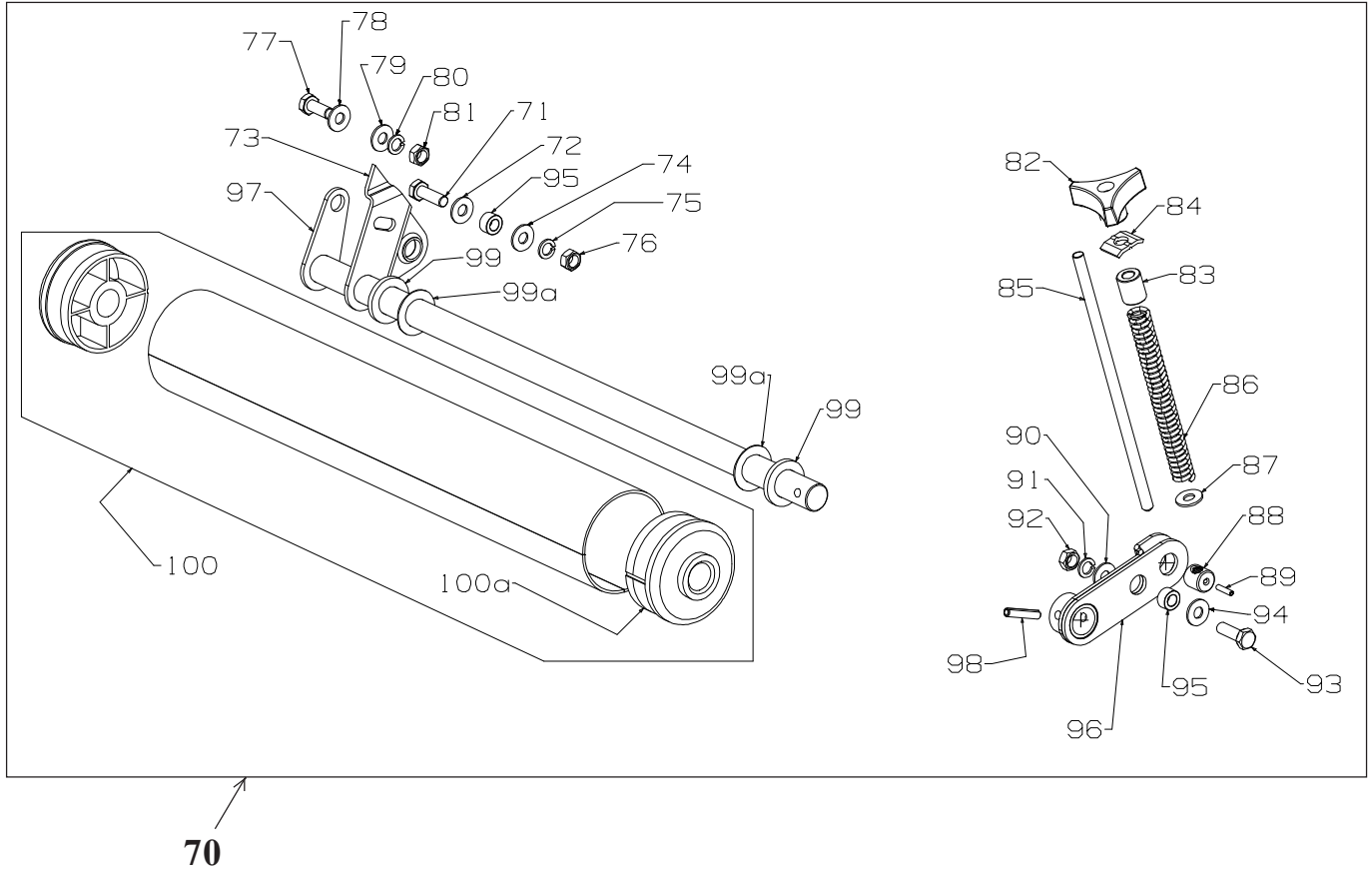


Cylinder Mower 500
GOLF SERIES

Masport

Issue C.3
ECN 03139
July 2016 PB
REF # 719053S

Front Roller Assembly - Golf



| Item No | Part No | Description | Qty | Item No | Part No | Description | Qty |
|---------|---------|------------------------------|-----|---------|----------|---------------------------------|-----|
| 70 | 032026 | Spindle & Brkt Assy Golf 500 | 1 | 87 | *501606 | Washer, Flt 8 x 19 x 1.6 | 1 |
| 71 | *501598 | Set Screw, M8x25 Hex | 1 | 88 | *004990 | Spindle, Trunnion | 1 |
| 72 | *501606 | Washer, Flt 8 x 19 x 1.6 | 1 | 89 | *032087 | Pin, Tension 3.0 x 16 | 1 |
| 73 | *004983 | Bracket- Front Roller, RH | 1 | 90 | *501606 | Washer, Flt 8 x 19 x 1.6 | 1 |
| 74 | *501606 | Washer, Flt 8 x 19 x 1.6 | 1 | 91 | *503747 | Washer, Spg 8 | 1 |
| 75 | *503747 | Washer, Spg 8 | 1 | 92 | *501602 | Nut, M8 Hex | 1 |
| 76 | *501602 | Nut, M8 Hex | 1 | 93 | *501598 | Set Screw, M8 x 25 Hex | 1 |
| 77 | *501597 | Set Screw, M8x20 Hex | 1 | 94 | *501606 | Washer, Flt 8 x 19 x 1.6 | 1 |
| 78 | *501606 | Washer, Flt 8 x 19 x 1.6 | 1 | 95 | *004991 | Bush- Pivot, Front Roller | 2 |
| 79 | *501606 | Washer, Flt 8 x 19 x 1.6 | 1 | 96 | *004984 | Bracket Assy- Adj, Front Roller | 1 |
| 80 | *503747 | Washer, Spg 8 | 1 | 97 | *004977 | Spindle Assy Front 500 | 1 |
| 81 | *501602 | Nut, M8 Hex | 1 | 98 | *007496 | Pin, Tension 6.0 x 30 | 1 |
| 82 | *574230 | Knob- Plastic, M8 Insert | 1 | 99 | *501432 | Washer, Flt 20 x 33 x 4.0 | 2 |
| 83 | *031910 | Spacer- Knob | 1 | 99a | *537967 | Washer, Flt 20 x 33 x 1.0 | 2 |
| 84 | *004973 | Plate Slipper | 1 | 100 | *032029 | Roller Assy-Front, 500 Golf | 1 |
| 85 | *004988 | Spindle- Adj, Front Roller | 1 | 100a | **005478 | Cap- End 72.3 | 2 |
| 86 | *004691 | Spring- Height Adjust | 1 | | | | |

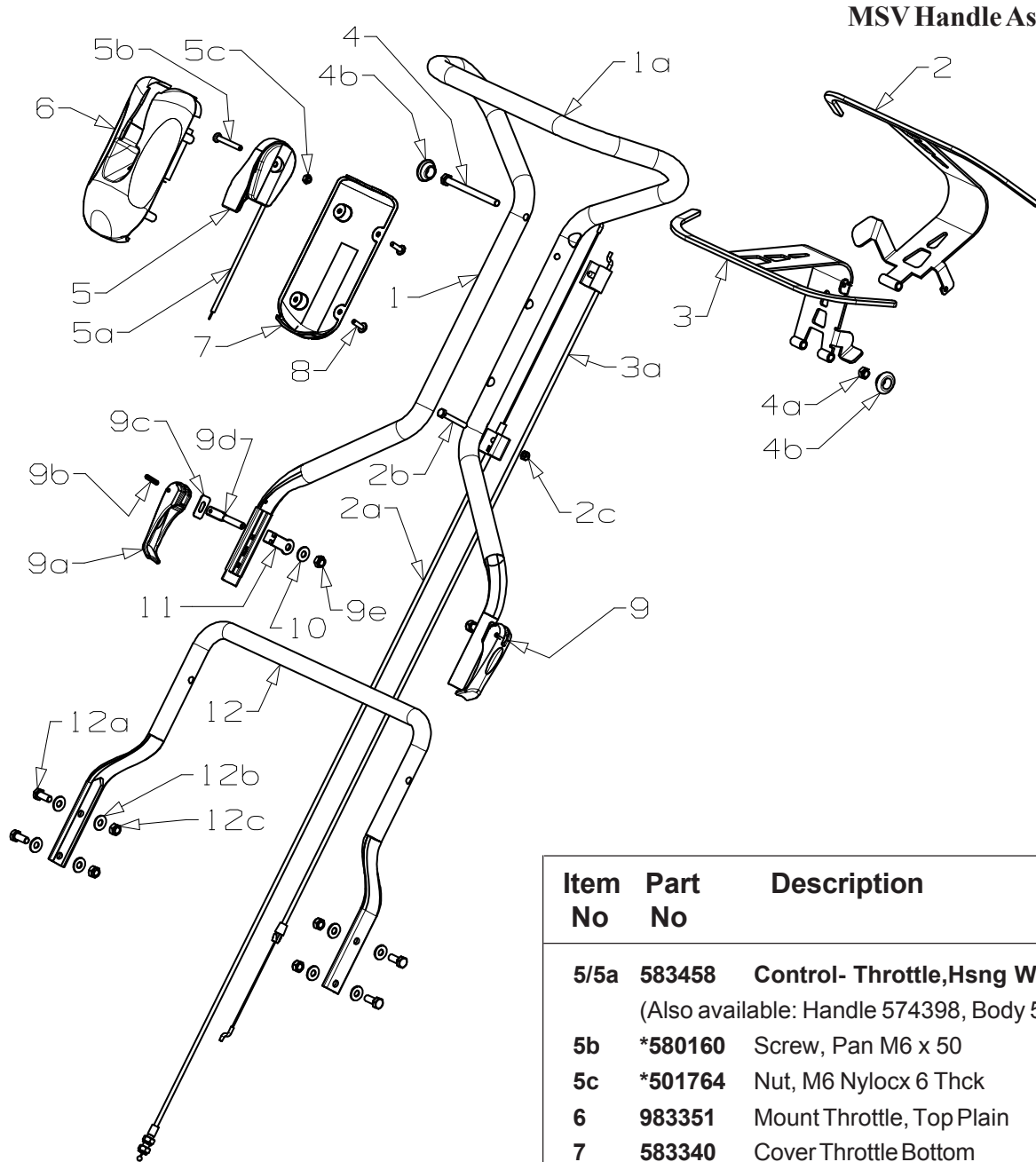
When ordering PLEASE QUOTE PART NUMBER & Description, NOT Illustration No.
Determine right or left hand side from standing in operating position (standing at handle)
Bold Text = Assemblies, **Bulleted Text** * = Items included in the Assemblies



Cylinder Mower 500
GOLF SERIES

Masport

Issue C.3
ECN 03139
July 2016 PB
REF # 719053S



MSV Handle Assembly

| Item No | Part No | Description | Qty |
|-------------|----------------|--|----------|
| 5/5a | 583458 | Control- Throttle,Hsng Wscn | 1 |
| | | (Also available: Handle 574398, Body 574430) | |
| 5b | *580160 | Screw, Pan M6 x 50 | 1 |
| 5c | *501764 | Nut, M6 Nylocx 6 Thck | 1 |
| 6 | 983351 | Mount Throttle, Top Plain | 1 |
| 7 | 583340 | Cover Throttle Bottom | 1 |
| 8 | 503650 | Screw; S/T #12 x 11/16" | 4 |
| 9 | 779755 | Cam Lock Assembly | 2 |
| 9a | *582419 | Lever- Handle, Locking | 1 |
| 9b | *503369 | Pin, Tension 5.0 x 22 | 1 |
| 9c | *016777 | Washer Slipper | 1 |
| 9d | *583041 | Stud Handle Lock 61mm | 1 |
| 9e | *501793 | Nut M8 Hex Nylocx Thck | 1 |
| 10 | 501606 | Washer, Flat 8 x 19 x 1.6 | 2 |
| 11 | 581527 | Retainer- Clutch Cable | 1 |
| 12 | 031849 | Handle- Lower, 500 | 1 |
| 12a | 501597 | Screw, Set M8 x 20 | 4 |
| 12b | 501606 | Washer, Flat 8 x 19 x 1.6 | 8 |
| 12c | 501793 | Nut, M8 Nylocx 8 Thick | 4 |

| Item No | Part No | Description | Qty |
|-------------|---------------|------------------------------|----------|
| 1/1a | 731847 | Handle Upper Assembly, R/MWR | 1 |
| 2 | 579279 | Bail Arm Assy, SP MSV | 1 |
| 2a | 031990 | Cable-Clutch, Reel Mower | 1 |
| 2b | 503604 | Screw-Pan, M6 x 45 | 1 |
| 2c | 501764 | Nut-M6 Nyloc | 1 |
| 3 | 979278 | Bail Arm Assy, OPC MSV | 1 |
| 3a | 581655 | Cable- Eng, OPC Reel Mower | 1 |
| 4 | 503883 | Bolt Hex M8 x 100 | 1 |
| 4a | 501793 | Nut-M8 Nyloc | 1 |
| 4b | 503882 | Grommet Blanking 3/4"(19mm) | 2 |

When ordering PLEASE QUOTE PART NUMBER & Description, NOT Illustration No.
Determine right or left hand side from standing in operating position (standing at handle)
Bold Text = Assemblies, **Bulleted Text** * = Items included in the Assemblies

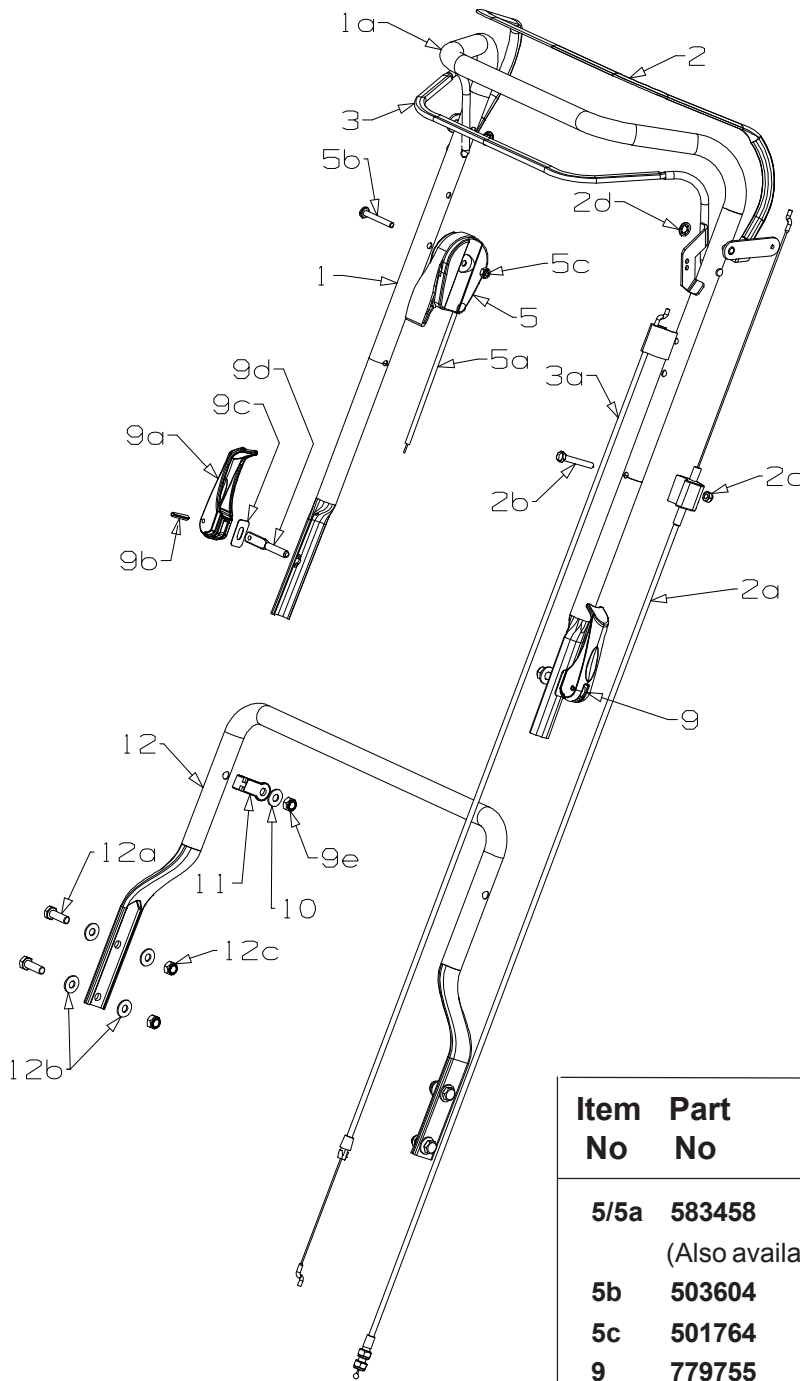


Cylinder Mower 500
GOLF SERIES

Masport

Issue C.3
ECN 03139
July 2016 PB
REF # 719053S

Upturned Handle Assembly



| Item No | Part No | Description | Qty |
|-------------|---------------|--|----------|
| 5/5a | 583458 | Control- Throttle,Hsng Wscn | 1 |
| | | (Also available: Handle 574398, Body 574430) | |
| 5b | 503604 | *Screw, Pan M6 x 45 | 1 |
| 5c | 501764 | *Nut, M6 Nylocx 6 Thck | 1 |
| 9 | 779755 | Cam Lock Assembly | 2 |
| 9a | 582419 | Lever- Handle, Locking | 1 |
| 9b | 503369 | Pin, Tension 5.0 x 25 | 1 |
| 9c | 016777 | Washer Slipper | 1 |
| 9d | 583041 | Stud Handle Lock 61mm | 1 |
| 9e | 501793 | Nut M8 Hex Nylocx Thck | 1 |
| 10 | 501606 | Washer, Flat 8 x 19 x 1.6 | 2 |
| 11 | 581527 | Retainer- Clutch Cable | 1 |
| 12 | 031849 | Handle- Lower, 500 | 1 |
| 12a | 501597 | Screw, Set M8 x 20 | 4 |
| 12b | 501606 | Washer, Flat 8 x 19 x 1.6 | 8 |
| 12c | 501793 | Nut, M8 Nylocx 8 Thick | 4 |

| Item No | Part No | Description | Qty |
|-------------|---------------|----------------------------|----------|
| 1/1a | 773155 | Handle & Sleeve,Upt R/MWR | 1 |
| 2 | 982161 | Bail Arm Assy, SP | 1 |
| 2a | 031990 | Cable-Clutch, Reel Mower | 1 |
| 2b | 503558 | Screw-Set, M6 x 45 | 1 |
| 2c | 501764 | Nut-M6 Nyloc | 1 |
| 2d | 501365 | Clip- Starlock, 5/16" | 2 |
| 3 | 981740 | Bail Arm Assy, OPC | 1 |
| 3a | 031878 | Cable- Eng, OPC Reel Mower | 1 |

When ordering PLEASE QUOTE PART NUMBER & Description, NOT Illustration No.
Determine right or left hand side from standing in operating position (standing at handle)
Bold Text = Assemblies, **Bulleted Text** * = Items included in the Assemblies

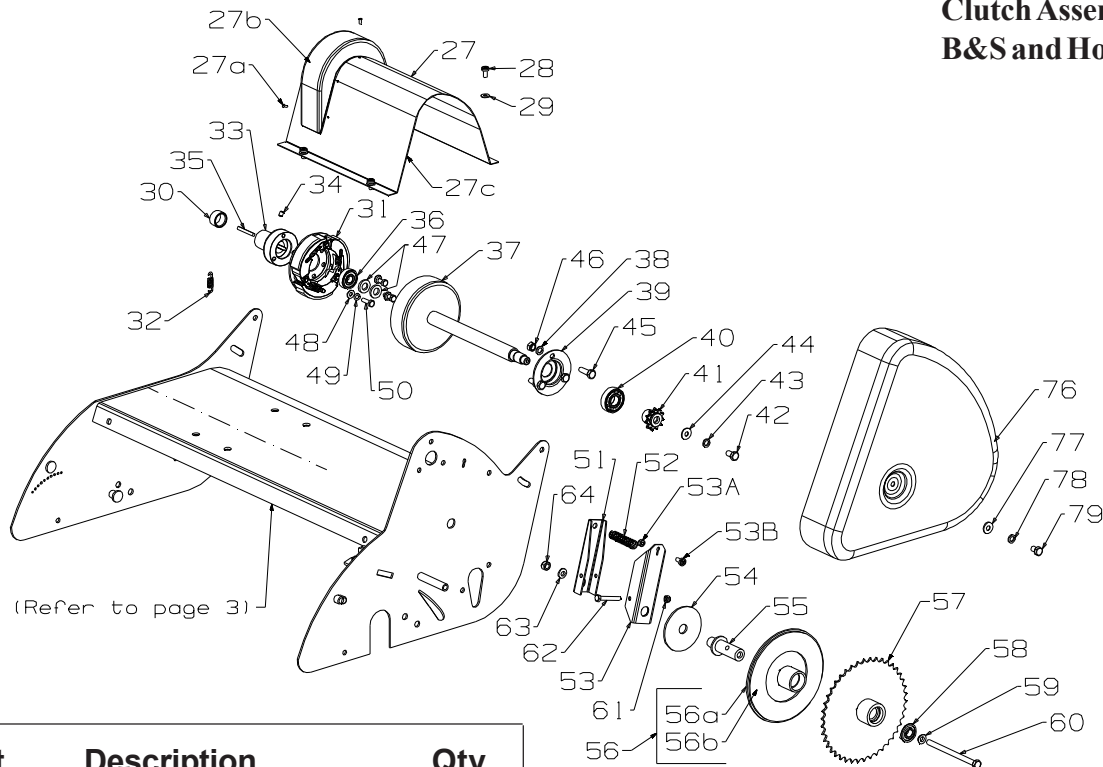


Cylinder Mower 500
GOLF SERIES

Masport

Issue C.3
ECN 03139
July 2016 PB
REF # 719053S

Clutch Assembly B&S and Honda

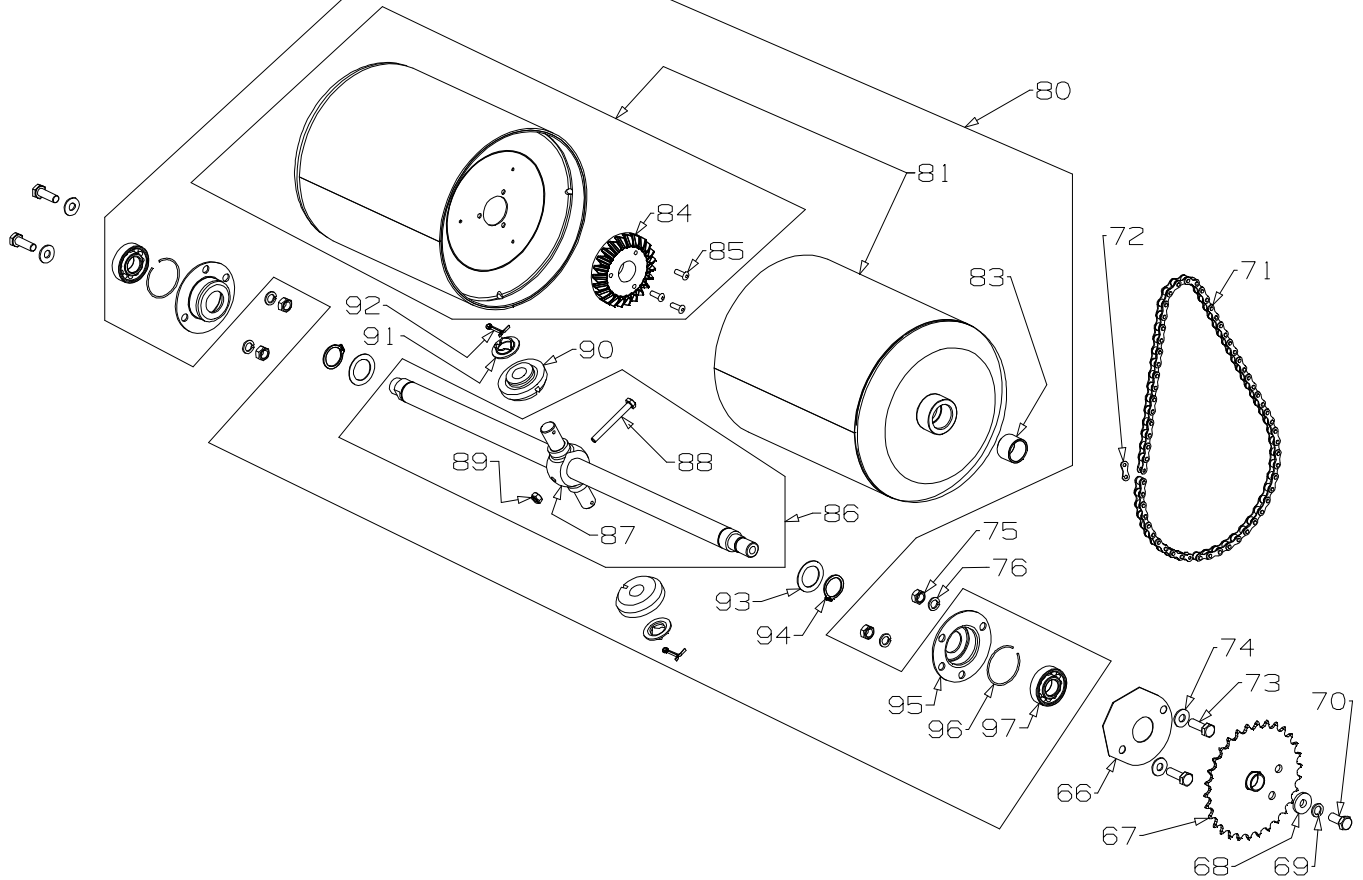


| Item | Part | Description | Qty | Item | Part | Description | Qty |
|------|----------|--|-----|------|----------|----------------------------------|-----|
| 27 | 031909 | Cover- Trans,500/660 EU GRN | 1 | 50 | 503223 | Screw, Set M6 x 16 HT8.8 | 3 |
| 27a | 503429 | *Rivet Pop 3.2 x 4.8 73 AS4-3 | 4 | 51 | 031831 | Lever-Clutch | 1 |
| 27b | 031907 | *Cover Trans Moulded | 1 | 52 | 031845 | Spring- Clutch | 1 |
| 28 | 503591 | Screw, Set M6 x 12 | 4 | 53 | 031830 | Lever Carrier- Clutch | 1 |
| 29 | 501703 | Washer, Flt 6 x 14 x 1.2 | 4 | 53a | 501764 | Nut-M6 Nyloc | 1 |
| 30 | 031958 | Spacer- Drive Shaft, 13mm | 1 | 53b | 503591 | Screw-Pan M6 x 12 | 1 |
| 31 | 031912 | Clutch- Drive Assy | 1 | 54 | 031843 | Washer. FLT 16.5 x 75 x 3.0 | 1 |
| 32 | (005634) | Clutch Spring | 3 | 55 | 031840 | Post- Clutch | 1 |
| 33 | 031913 | Boss- Clutch, 19 Dia (536012 Key) | 1 | 56 | (031988) | Sprocket-11T, Clutch Disk | 1 |
| 33 | 031914 | Boss- Clutch, 20 Dia (536178 Key) | 1 | 56a | 031986 | Sprocket- Clutch Plate Assy | 1 |
| 34 | 501719 | Screw, Grb M6x8 | 2 | 56b | 031987 | Liner- Clutch Face Cork | 1 |
| 35 | 536178 | Key- Cutter 3/16"SQx24 | 1 | 57 | 031963 | Sprocket- 42T, Plate & Boss Assy | 1 |
| 35 | 536012 | Key- Engine 3/16"SQx38 | 1 | 58 | 503901 | Bearing, Ball 12x28x8 6001 2RSH | 1 |
| 36 | 501213 | Bearing, Ball 12x32x10 6201 2RS | 1 | 59 | 031965 | Washer- Centralizing Brass | 1 |
| 37 | 031587 | Drum Assy, Clutch 500/660 | 1 | 60 | 503938 | Bolt, M8 x 120 Hex | 1 |
| 38 | 503747 | Washer, Spg 8 | 3 | 61 | 501764 | Nut, M6 Nyloc 6 Thck | 1 |
| 39 | 002834 | Housing- Bearing | 1 | 62 | 580160 | Screw, Set M6 x 0 Hex | 1 |
| 40 | 503273 | Bearing-Ball 17 x 40 x 12 6203 2S | 1 | 63 | 031842 | Washer, Thrust | 1 |
| 41 | 002818 | Sprocket- 11T, Drive | 1 | 64 | 501793 | Nut, M8 Hex Nyloc 8 Thck | 1 |
| 42 | 501715 | Screw, Set M8 x15 1mm Pitch | 1 | 76 | 031585 | Cover - Chaincase- Green | 1 |
| 43 | 503747 | Washer, Spg 8 | 1 | 77 | 501606 | Washer, Flt 8 x 19 x 1.6 | 1 |
| 44 | 501606 | Washer, Flt 8 x 18 x 1.6 | 1 | 78 | 503747 | Washer, Spg 8 | 1 |
| 45 | 501597 | Screw, Set M8x20 Hex | 3 | 79 | 501863 | Screw Set, M8x12 | 1 |
| 46 | 501602 | Nut, M8 Hex | 3 | | | | |
| 47 | 006028 | Washer, Flt 12 x 22 x 3.0 | 2 | | | | |
| 48 | 501703 | Washer, Flt 6 x 14 x 1.2 | 3 | | | | |
| 49 | 500201 | Washer, Spg 6 | 3 | | | | |

When ordering PLEASE QUOTE PART NUMBER & Description, NOT Illustration No.
Determine right or left hand side from standing in operating position (standing at handle)
Bold Text = Assemblies, **Bulleted Text** * = Items included in the Assemblies



Rear Roller Assembly Painted



| Item No | Part No | Description | Qty | Item No | Part No | Description | Qty |
|---------|---------|---------------------------------------|-----|---------|---------|--------------------------------|-----|
| 66 | 002618 | Plate- Seal, Bearing | 1 | 86 | *008947 | Spindle-Rear Roller 500 | 1 |
| 67 | 002604 | Sprocket & Boss Assy, Rear Roller | 1 | 87 | *008943 | *Carrier-Bevel Pinion | 1 |
| 68 | 503872 | Washer, Flt 8 x 20 x 3.0 | 1 | 88 | *567292 | *Bolt-Hex M6 x 55 HT 8.8 | 1 |
| 69 | 503747 | Washer, Spg 8 | 1 | 89 | *501764 | *Nut, M6 Hex Nyloc | 1 |
| 70 | 501717 | Screw, Set M8 x 20 1mm Pitch | 1 | 90 | *002708 | Pinion-Bevel, 14T | 2 |
| 71 | 004929 | Chain, 3/16" x 1/2, 40P | 1 | 91 | *008944 | Collar | 2 |
| 72 | *731971 | Link, Chain 1/2 | 1 | 92 | *007473 | Split Pin, 3.0dia x 30 | 2 |
| 73 | 501597 | Screw, Set M8 x 20 | 4 | 93 | *002732 | Washer-Flt, 22 x 40 x 2 | 2 |
| 74 | 501606 | Washer, Flt 8x19x1.6 | 4 | 94 | *007260 | Circlip- 7/8" ext | 2 |
| 75 | 501602 | Nut, M8 Hex | 4 | 95 | *000409 | Housing-Bearing | 2 |
| 76 | 503747 | Washer, Spg 8 | 4 | 96 | *004292 | Ring-Bearing Housing | 2 |
| 80 | 031918 | Roller-Rear,Assemble (Painted) | 1 | 97 | *503273 | Bearing-Ball 17x40x12 6203 2S | 2 |
| 81 | *031955 | Roller-Rear,Half 500 (Painted) | 2 | | | | |
| 83 | *007616 | *Bush- Rear Roller | 1 | | | | |
| 84 | *002707 | *Gear-Bevel, 24t | 1 | | | | |
| 85 | *503399 | *Rivet-Pop, 4.8 x 13 73 SS 6-8 | 3 | | | | |