

OLYMPIC CYLINDER MOWER

660 Series

<u>Mower</u>	<u>Model</u>	<u>Engine</u>	<u>Shaft Dia</u>	<u>Introduction</u>	<u>Serial Number</u>
019031	660 - PRR	Honda GX160	20	Dec 2007	7091922
019041	660 - PRR	Honda GX160	20	Apr 2009	7200737
019055	660 - RRR	B&S 5.0	19	Sep 2010	7373501
019072	660 - RRR	B&S Intek 6.0 I/C	19	Apr 2011	7349951
019102	660 - RRR	Honda GC160	19		
019114	660 - RRR	B&S 5.0Hp	19	Jun 2015	7924118

PRR = Reel Mowers fitted with a Painted Rear Roller

RRR = Reel Mowers fitted with a Rubber Sleeve over the Painted Rear Roller



Photo shows 019072

Approx Ground Speed 5.5kph

*Where assembled parts differ,
these are shown as "A"*



Photo shows 019114

Approx Ground Speed 4.4kph

*Where assembled parts differ,
these are shown as "B"*

NOT ILLUSTRATED

031889	Decal, Caution S/N & dB 500	1
031891	Decal, Trans Cvr 5/660	1
031895	Decal, G/Catcher 500	1
031900	Decal, Caution, Feet & Hands	1
031992	Owner Manual, Reel Mower	1
573211	Sticker-CTN, Plastic Catcher	2
537967	Washer-Rear Axle (If required)	3

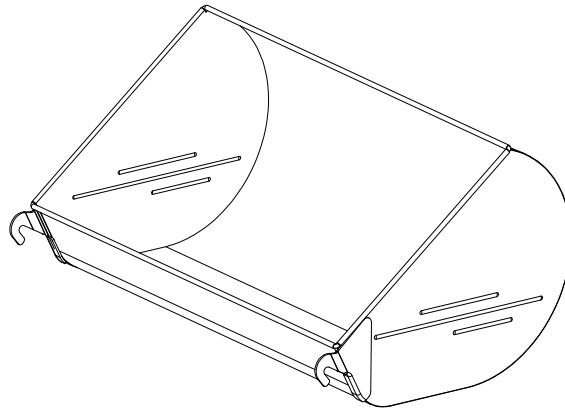
Honda Engine's require

503630	Screw, S/T 10x.4	2
503950	Deflector-Honda Engine	1

Honda -Throttle Cable Routing Change TB129

503489	Screw, Set M5 x 16	1
550500	Clamp- Cable, Throttle Adapter	1

Part No	Description
731593	Catcher Assy, 660 Olympic Green

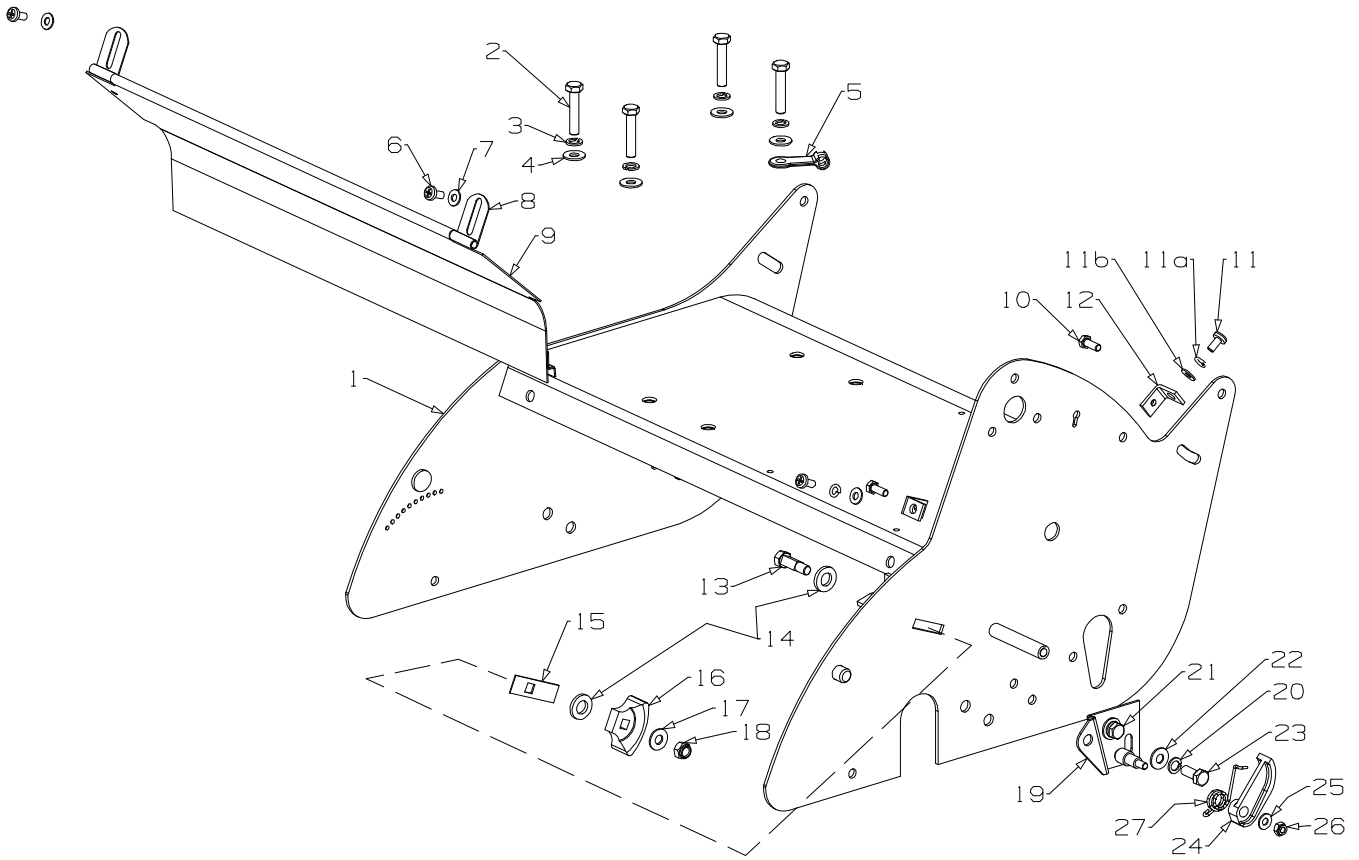


SPARES OPTIONS

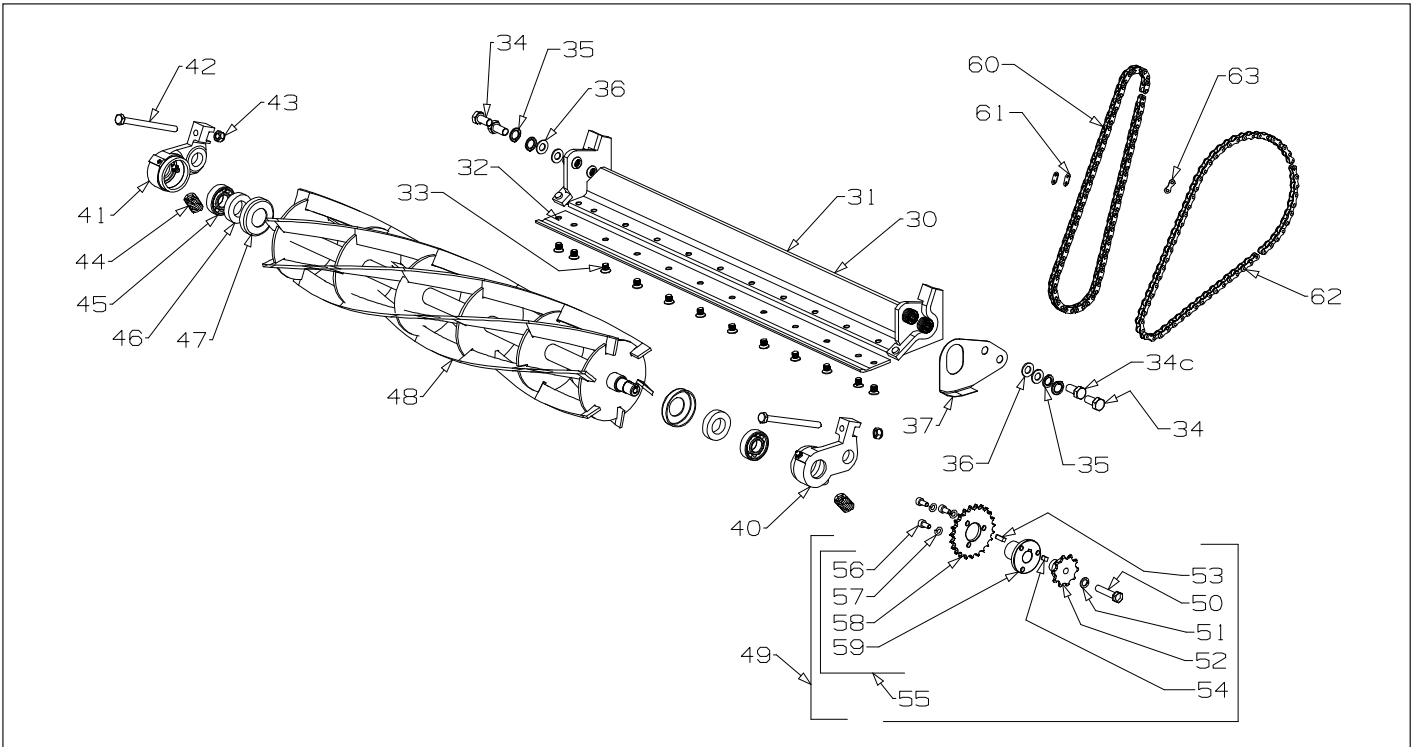
732181	Slow Down Kit	1	Converts from A to B
732226	Speed Up Kit	1	Converts from B to A
932087	*Cylinder & Sprocket Assembly	1	

***This assembly is designed to replace the style of Cutting Cylinder that used a 5/8 UNF LH thread to attach the sprocket assembly**

Chassis Assembly

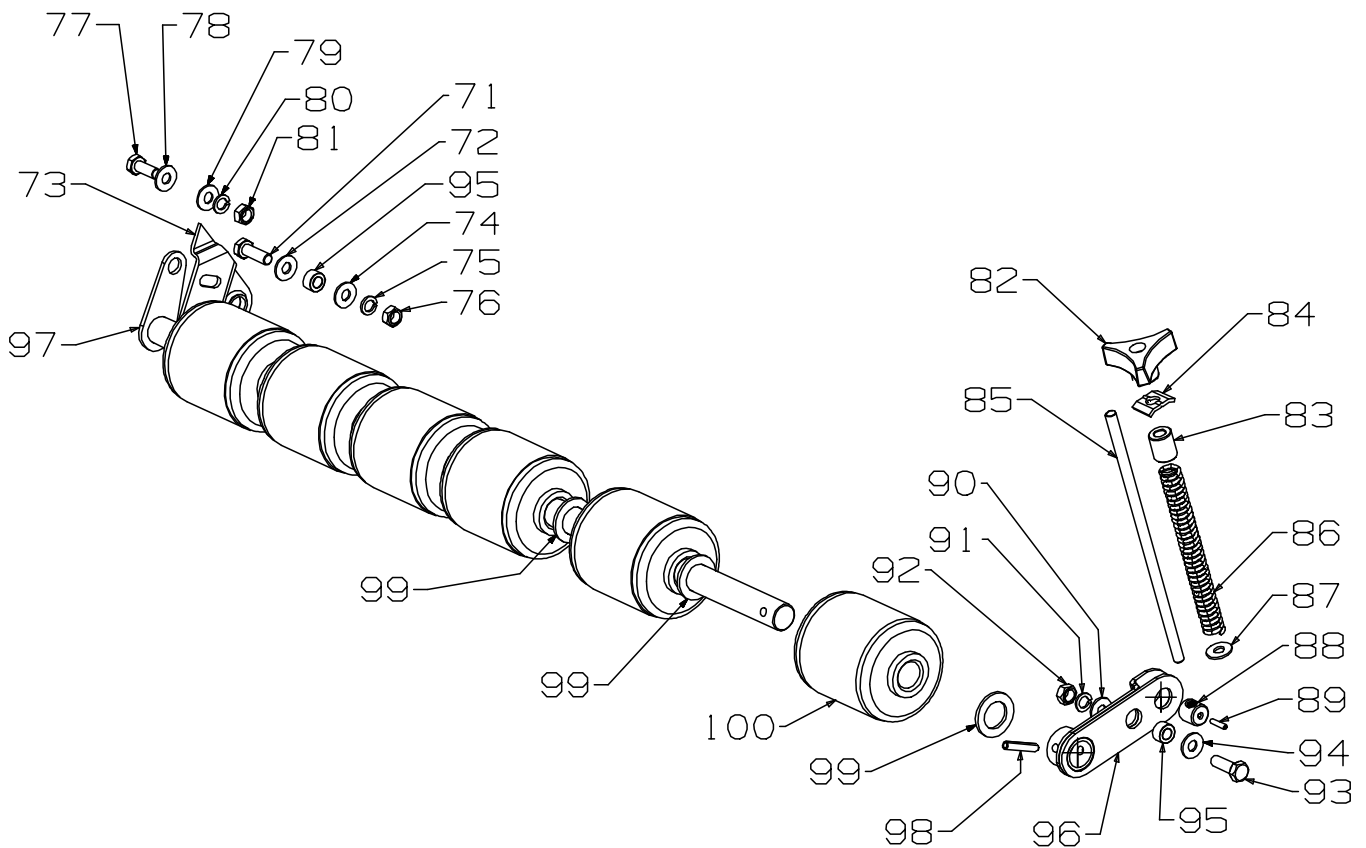


Item No	Part No	Description	Qty	Item No	Part No	Description	Qty
1	031592	Chassis Assy- 660 Olympic Green	1	14	006028	Washer, Flt 12x22x3.0	2
2	501843	Set Screw, M8x40 Hex	4	15	002845	Sealplate- Chain Adjuster	1
3	503747	Washer, Spg 8	4	16	002844	Adjuster- Chain, Fixed Nylon	1
4	501606	Washer, Flt 8x19x1.6	4	17	501606	Washer, Flt 8x19x1.6	1
5	581527	Retainer, Clutch Cable	1	18	501793	Nut, M8 Hex Nyloc 8 Thck	1
6	503591	Screw, Pan M6x12	2	19	004942	Plate Assy, Mounting	1
7	501703	Washer, Flt 6x14x1.2	2	20	503747	Washer Spg 8	2
8	002589	Bracket, Grass Chute	2	21	502106	Set Screw, M 8X 16 Hex	1
9	004916	Deflector, Grass- 660	1	22	501606	Washer, Flt 8x19x1.6	2
10	501702	Set Screw, M6x16 Hex	2	23	501597	Set Screw, M8x20 Hex	1
11	503591	Screw, Pan M6x12	2	24	004963	Adjuster- Chain, Tension Nylon	1
11a	500201	Washer, Spg 6	2	25	501703	Washer, Flt 6x14x1.2	1
11b	501703	Washer, Flt 6x14x1.2	2	26	501764	Nut, M6 Hex Nyloc 6 Thck	1
12	031915	Bracket- Chain Cover	2	27	004945	Spring	1
13	002848	Bolt- Adjuster, Chain	1				



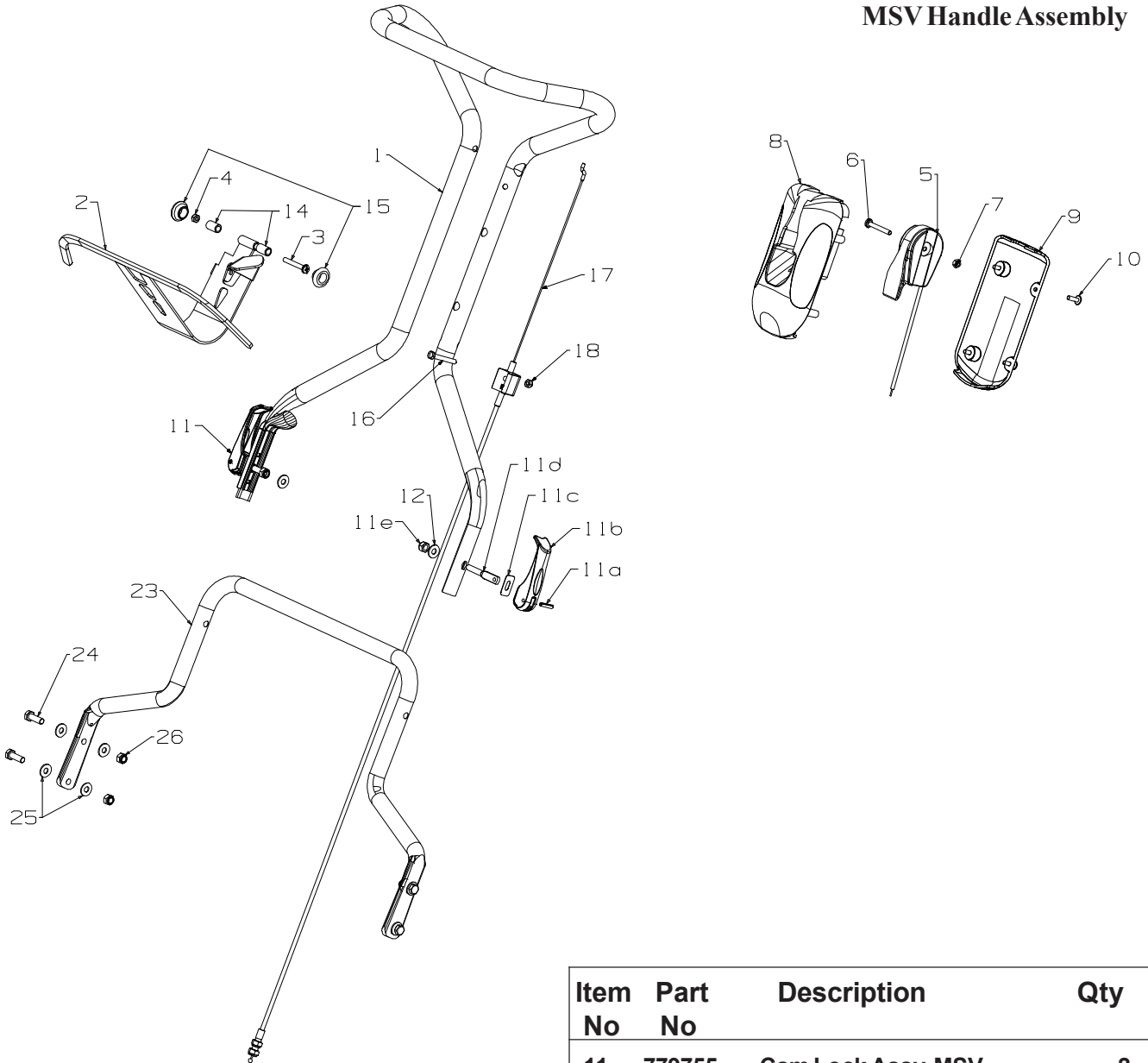
Item No	Part No	Description	Qty	Item No	Part No	Description	Qty
30	009856	Backplate Brkt, Blade Assy 660 (incl items,31,32,33)	1	52	*032002	Sprocket 10T	1
31	*009863	Bracket Assy Backplate 660	1	53	*032005	Key 5x5x16	1
32	*009874	Blade, Baseplate 660	1	54	*032004	Key 5x5x10	1
33	*008611	Screw, CSK M8x10 Allen Head	12	55 A	*032045	Sprocket Assy - 23 Key (incl items 56,57,58A and 59)	1
		==		55 B	*032222	Sprocket Assy - 26 Key (incl items 56,57,58B and 59)	1
34	501760	Set Screw, M10x20 Hex	3	56	*502004	Screw, Cap M6x12	3
34c A	501760	Set Screw, M10x20 Hex	1	57	*500201	Washer, Spg 6	3
34c B	502207	Set Screw, M10x20 (Short Head)	1	58 A	*032003	Sprocket 23T	1
35	503897	Washer, Spg 10	4	58 B	*032174	Sprocket 26T	1
36	501704	Washer, Flt 10x19x1.6	4	59	*032001	Boss Sprocket Key	1
37	002561	Plate- Seal, Chaincase	1	60 A	002835	Chain- 0.23xP 3/8", 75P	1
40	032023	Housing- Assy Bearing, LH	1	60 B	032187	Chain- 0.23xP 3/8", 77P	1
41	032024	Housing- Assy Bearing, RH	1	61	*731972	Link- Chain 3/8"	1
42	006282	Bolt, Set NF 5/16"x4" Hex	2	61	*731972	Link- Chain 3/8"	1
43	007240	Nut, NF 5/16 Hex Nyloc Type "P"	2	62	004299	Chain- 0.205x P 1/2", 59P	1
44	002581	Spring- Baseplate	2	63	*731971	Link- Chain 1/2"	1
45	503273	Bearing, Ball 17x40x12 6203 2S	2				
46	002583	Seal- Felt	2				
47	005211	Cover- Dust, Cylinder Bearing	2				
48	032015	Cylinder Assy Cutting-660, Keyed	1				
49 A	032006	Sprocket Assy-10/23 (includes items 50,51,52,53,54 and 55A)	1				
49 B	032223	Sprocket Assy-10/23 (includes items 50,51,52,53,54 and 55B)	1				
50	*501843	Set Screw, M8 x 40	1				
51	*503747	Washer Spg 8	1				

Front Roller Assembly



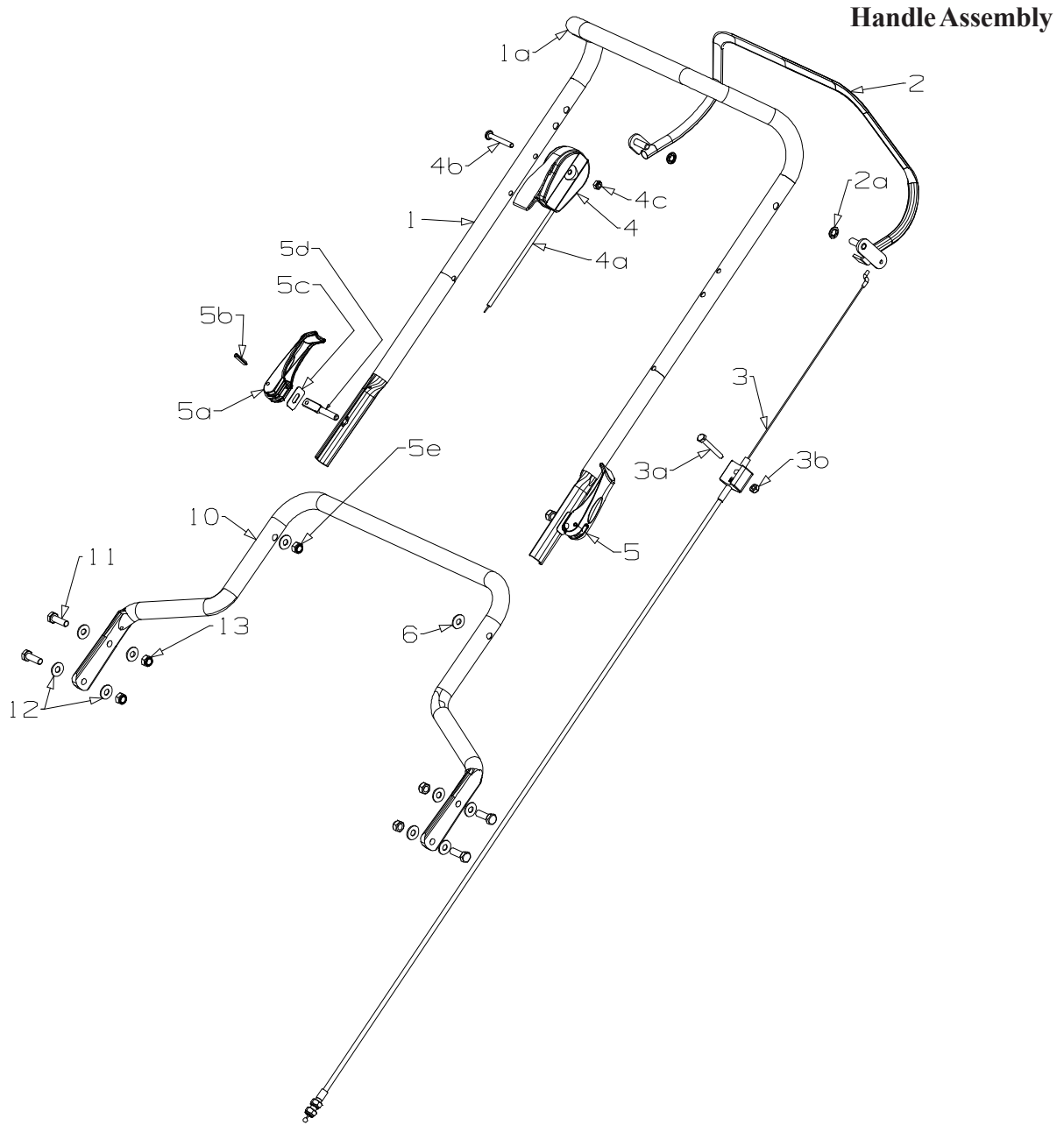
Item No	Part No	Description	Qty	Item No	Part No	Description	Qty
70	005015	Spindle & Brkt Assy 660	1	87	*501606	Washer, Flt 8x19x1.6	1
71	*501598	Set Screw, M8x25 Hex	1	88	*004990	Spindle, Trunnion	1
72	*501606	Washer, Flt 8 x 19 x 1.6	1	89	*032087	Pin, Tension 3.0 x 16	1
73	*004983	Bracket- Front Roller, RH	1	90	*501606	Washer, Flt 8x19x1.6	1
74	*501606	Washer, Flt 8x19x1.6	1	91	*503747	Washer, Spg 8	1
75	*503747	Washer, Spg 8	1	92	*501602	Nut, M8 Hex	1
76	*501602	Nut, M8 Hex	1	93	*501598	Set Screw, M8x25 Hex	1
77	*501597	Set Screw, M8x20 Hex	1	94	*501606	Washer, Flt 8x19x1.6	1
78	*501606	Washer, Flt 8x19x1.6	1	95	*004991	Bush- Pivot, Front Roller	2
79	*501606	Washer, Flt 8x19x1.6	1	96	*004984	Bracket Assy- Adj, Front Roller	1
80	*503747	Washer, Spg 8	1	97	*004978	Spindle Assy Front Roller 660	1
81	*501602	Nut, M8 Hex	1	98	*007496	Pin, Tension 6.0 x 30	1
82	*574230	Knob- Plastic, M8 Insert	1	99	*501432	Washer, Flt 20x33x4.0	7
83	*031910	Spacer- Knob	1	100	031911	Roller-Front Assy (1 Only)	6
84	*004973	Plate Slipper	1				
85	*004988	Spindle- Adj, Front Roller	1				
86	*004691	Spring- Height Adjust	1				

MSV Handle Assembly



Item No	Part No	Description	Qty
1	731847	Handle Upper R/MWR	1
2	579279	Bail Arm Assy, SP MSV	1
3	503883	Bolt Hex M8 x 100	1
4	501793	Nut-M8 Nyloc	1
5	583458	Control- Throttle,Hsng Wscn	1
6	503604	Screw, Pan M6x45	1
7	501764	Nut, M6 Nylocx 6 Thck	1
8	583442	Mount Throttle, Top Plain	1
9	583340	Cover Throttle Bottom	1
10	503650	Screw; S/T #12x11/16"	4
11	779755	Cam Lock Assy-MSV	2
11a	503369	*Pin, Tension 5.0 x25	1
11b	582419	*Lever Handle Locking	1
11c	016777	*Washer Slipper	1
11d	583041	*Stud Handle Lock 61mm	1
11e	501793	*Nut M8 Hex Nylocx Thck	1
12	501606	Washer, Flat 8x19x1.6	2
14	583504	Pivot-Bail Arm	2
15	503882	Grommet Blanking 3/4"(19mm)	2
16	503558	Screw-Set, M6 x 45	1
17	031990	Cable-Clutch, Reel Mower	1
18	501764	Nut-M6 Nyloc	1
23	031850	Handle- Lower, 660	1
24	501597	Screw, Set M8x20	4
25	501606	Washer, Flat 8x19x1.6	8
26	501793	Nut, M8 Nylocx 8 Thck	4

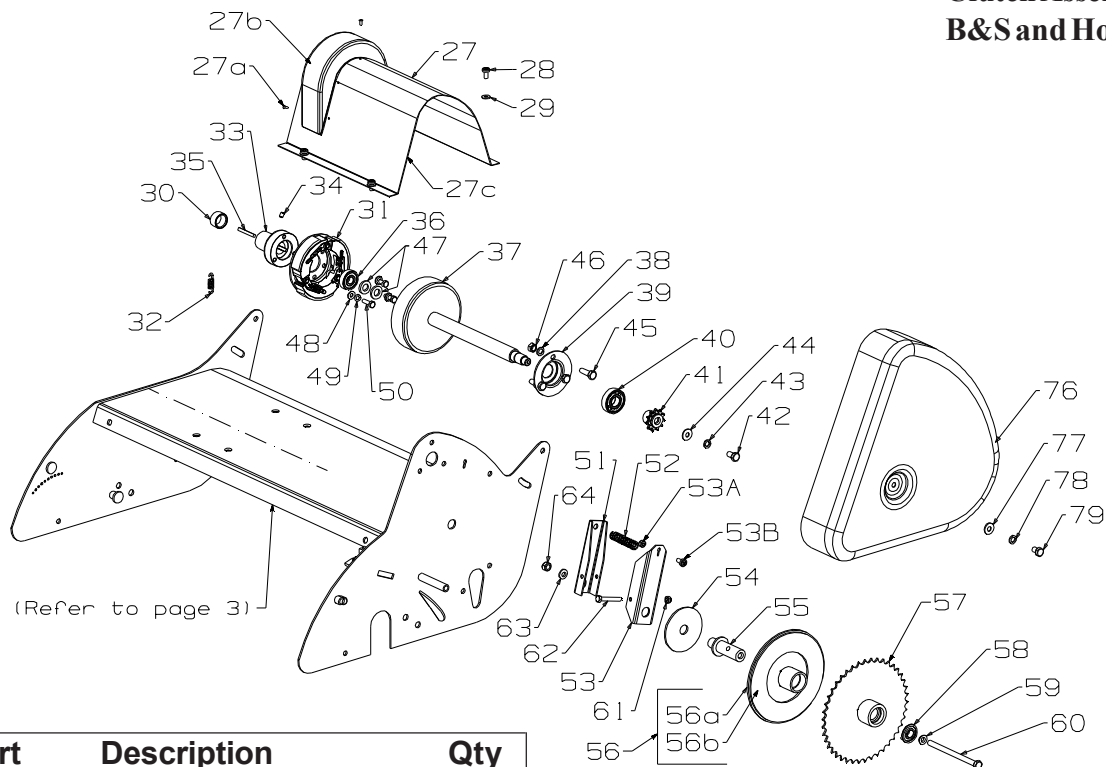
When ordering PLEASE QUOTE PART NUMBER & Description, NOT Illustration No.
Determine right or left hand side from standing in operating position (standing at handle)
Bold Text = Assemblies, Bulleted Text * = Items included in the Assemblies



Item No	Part No	Description	Qty	Item No	Part No	Description	Qty
1/1a	773155	Handle- Upper, UPT OPC Short	1	5	780456	Cam Lock Assembly	2
2	982161	Bail Arm Assy, SP	1	5a	580313	*Lever- Handle Locking	1
2a	501365	Clip- Starloc, 5/16"	2	5b	503369	*Pin, Tension 5.0 x 22	1
3	031990	Cable- Clutch, Reel Mower	1	5c	016777	*Washer- Slipper S/S	1
3a	503558	Screw, Set M6 x 45	1	5d	580690	*Stud- Handle Lock, 64mm	1
3b	501764	Nut, M6 Hex Nyloc x 6mm thick	1	5e	501793	*Nut, M8 Hex Nyloc 8mm thick	1
4/4a	583458	Throttle Control & Cable Wscn	1	6	501606	Washer, Flat 8 x 19 x 1.6	2
4b	503604	*Screw, Pan M6x45	1	7	581527	Retainer- Clutch Cable	1
4c	501764	*Nut, M6 Nylocx 6 Thck	1	10	031850	Handle- Lower, Reel Mower 660	1
				11	501597	Screw, Set M8 x 20 Hex	4
				12	501606	Washer, Flat 8 x 19 x 1.6	4
				13	501793	Nut, M8 Hex Nyloc 8mm thick	4

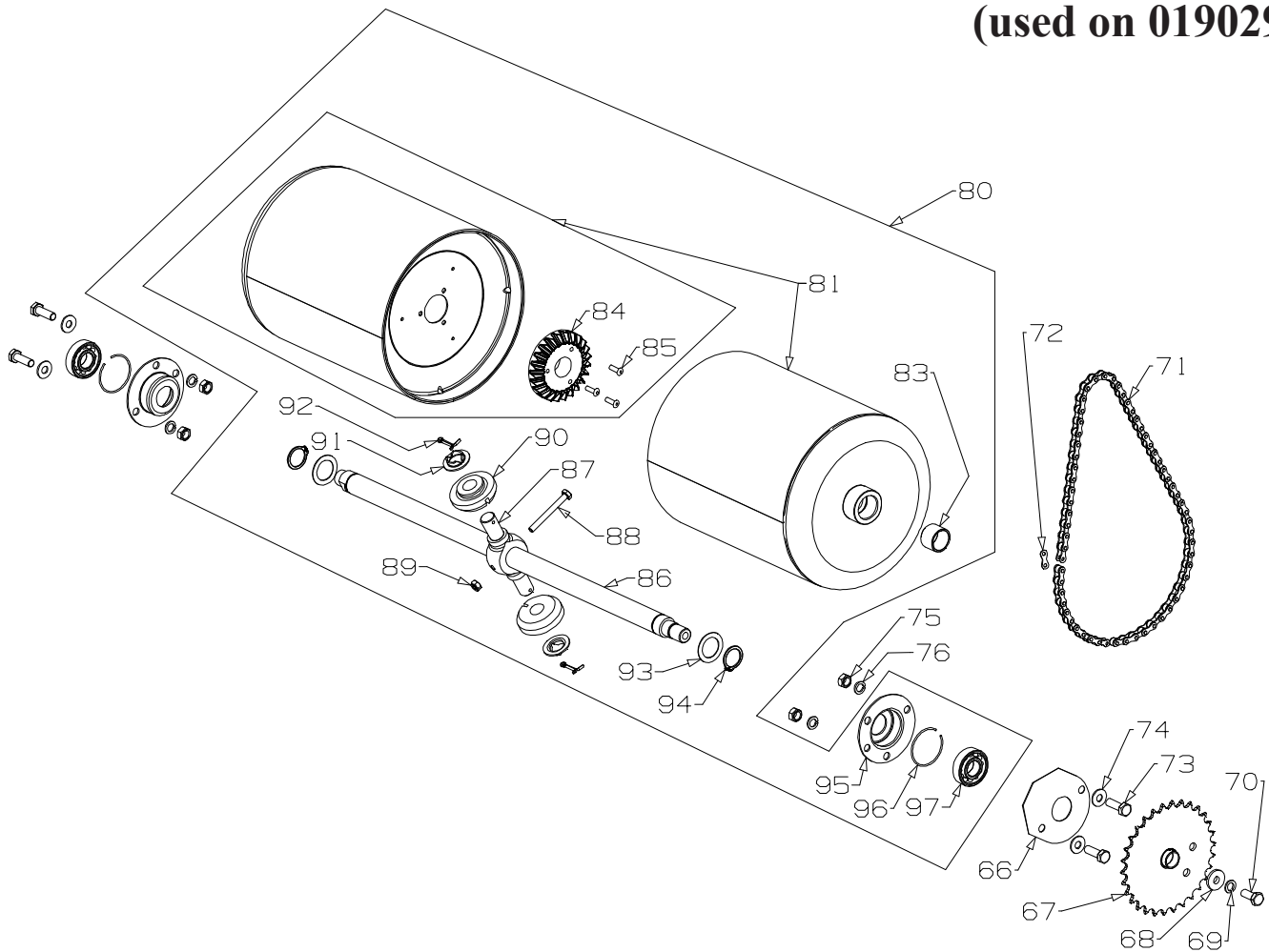
When ordering PLEASE QUOTE PART NUMBER & Description, NOT Illustration No.
Determine right or left hand side from standing in operating position (standing at handle)
Bold Text = Assemblies, Bulleted Text * = Items included in the Assemblies

**Clutch Assembly
B&S and Honda**



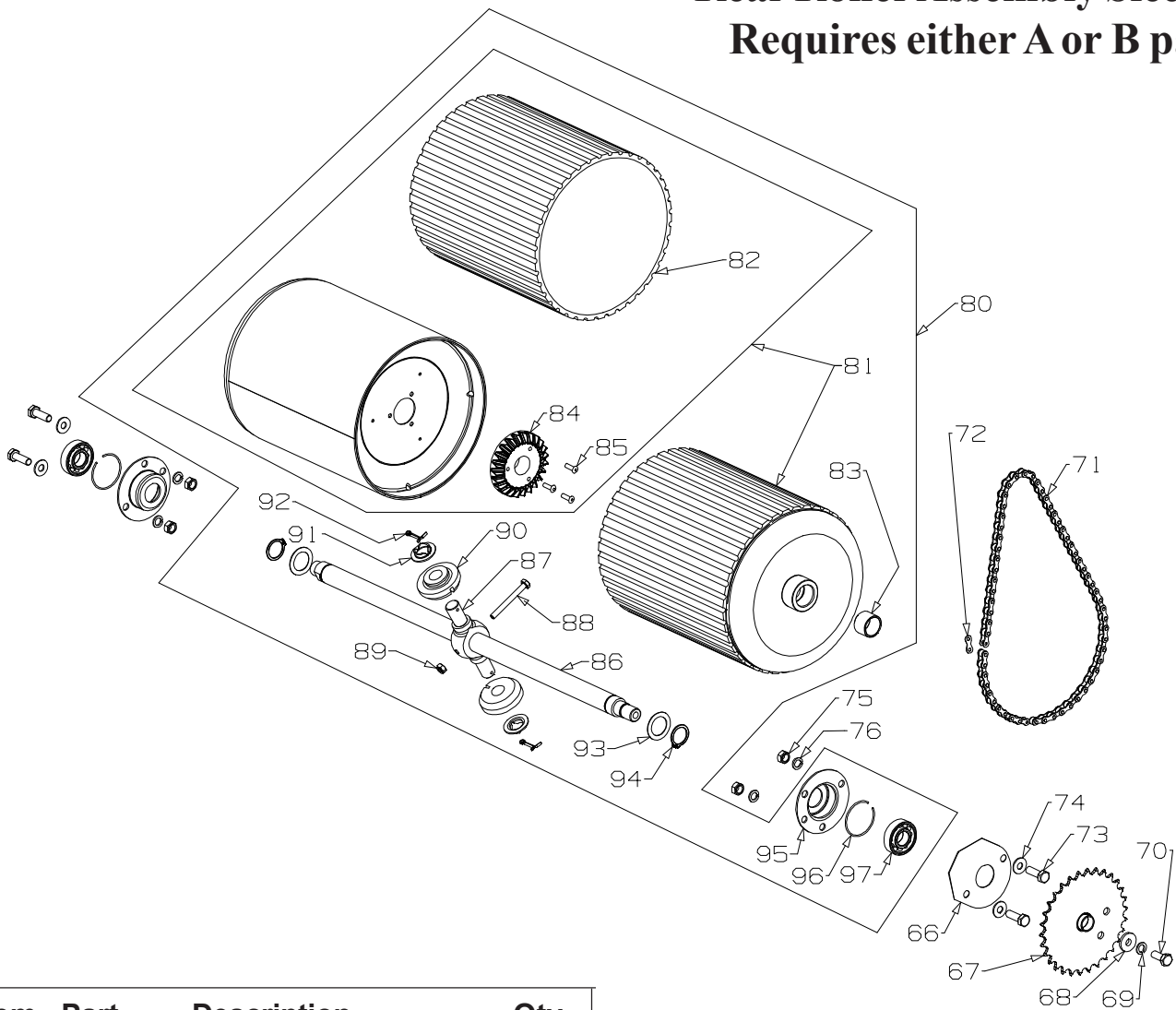
Item No	Part No	Description	Qty	Item No	Part No	Description	Qty
27	731589	Cover- Trans,500/660 GRN	1	50	503223	Screw, Set M6x16 HT8.8	3
27a	503429	*Rivet Pop 3.2 x4.8 73 AS4-3	4	51	031831	Lever- Clutch	1
27b	031907	*Cover Trans Moulded	1	52	031845	Spring- Clutch	1
28	503591	Screw, Set M6x12	4	53	031830	Lever Carrier- Clutch	1
29	501703	Washer, Flt 6x14x1.2	4	53a	501764	Nut-M6 Nyloc	1
30	031958	Spacer- Drive Shaft, 13mm	1	53b	503591	Screw-Pan M6 x 12	1
31	031912	Clutch- Drive Assy	1	54	031843	Washer. FLT 16.5x75x3.0	1
32	*005634	Clutch Spring	3	55	031840	Post- Clutch	1
33	031913	Boss- Clutch, 19 Dia (536012 Key)	1	56	031988	Sprocket-11T, Clutch Disk	1
33	031914	Boss- Clutch, 20 Dia (536178 Key)	1	56a	031986	*Sprocket- Clutch Plate Assy	1
34	501719	Screw, Grb M6x8	2	56b	031987	*Liner- Clutch Face Cork	1
35	536178	Key- Cutter 3/16"SQx24	1	57	031963	Sprocket- 42T, Plate & Boss Assy	1
35	536012	Key- Engine 3/16"SQx38	1	58	503901	Bearing, Ball 12x28x8 6001 2RSH	1
36	501213	Bearing, Ball 12x32x10 6201 2RS	1	59	031965	Washer- Centralizing Brass	1
37	031587	Drum Assy, Clutch 500/660	1	60	503938	Bolt, M8x120 Hex	1
38	503747	Washer, Spg 8	3	61	501764	Nut, M6 Nyloc 6 Thck	1
39	002834	Housing- Bearing	1	62	580160	Screw, Set M6x50 Hex	1
40	503273	Bearing-Ball 17x40x12 6203 2S	1	63	031842	Washer, Thrust	1
41	002818	Sprocket- 11T, Drive	1	64	501793	Nut, M8 Hex Nyloc 8 Thck	1
42	501715	Screw, Set M8x15 1mm Pitch	1	76	031585	Cover - Chaincase- Green	1
43	503747	Washer, Spg 8	1	77	501606	Washer, Flt 8x19x1.6	1
44	501606	Washer, Flt 8x18x1.6	1	78	503747	Washer, Spg 8	1
45	501597	Screw, Set M8x20 Hex	3	79	501863	Screw Set, M8x12	1
46	501602	Nut, M8 Hex	3				
47	006028	Washer, Flt 12x22x3.0	2				
48	501703	Washer, Flt 6x14x1.2	3				
49	500201	Washer, Spg 6	3				

Rear Roller Assembly Painted (used on 019029)



Item No	Part No	Description	Qty	Item No	Part No	Description	Qty
66	002618	Plate- Seal, Bearing	1	80	031920	Roller-Rear,Assemble (Painted)	1
67 A	002604	Sprocket & Boss Assy, Rear Roller	1	81	*031956	Roller-Rear,Half (Painted)	2
67 B	032188	Sprocket & Boss Assy, Rear Roller	1	83	*007616	Bush- Rear Roller	1
68	503872	Washer, Flt 8x20x3.0	1	84	*002707	Gear-Bevel, 24t	1
69	503747	Washer, Spg 8	1	85	*503399	Rivet-Pop, 4.8 x 13 73 SS 6-8	3
70	501717	Screw, Set M8x20 1mm Pitch	1	86	*004837	Spindle-Rear Roller660	1
71 A	004929	Chain, 3/16" x 1/2, 40P	1	87	*008943	Carrier-Bevel Pinion	1
72	*731971	Link, Chain 1/2	1	88	*567292	Bolt-Hex M6 x 55 HT 8.8	1
71 B	032186	Chain, 3/16" x 1/2, 42P	1	89	*501764	Nut, M6 Hex Nyloc	1
72	*731971	Link, Chain 1/2	1	90	*002708	Pinion-Bevel, 14T	2
73	501597	Screw, Set M8x20	4	91	*008944	Collar	2
74	501606	Washer, Flt 8x19x1.6	4	92	*007473	Split Pin, 3.0dia x 30	2
75	501602	Nut, M8 Hex	4	93	*002732	Washer-Flt, 22 x 40 x 2	2
76	503747	Washer, Spg 8	4	94	*007260	Circlip- 7/8" ext	2
				95	*000409	Housing-Bearing	2
				96	*004292	Ring-Bearing Housing	2
				97	*503273	Bearing-Ball 17x40x12 6203 2S	2

Rear Roller Assembly Sleeved Requires either A or B parts



Item No	Part No	Description	Qty	Item No	Part No	Description	Qty
66	002618	Plate- Seal, Bearing	1	83	*007616	Bush- Rear Roller	1
67 A	002604	Sprocket & Boss Assy, Rear Roller	1	84	*002707	Gear-Bevel, 24t	1
67 B	032188	Sprocket & Boss Assy, Rear Roller	1	85	*503399	Rivet-Pop, 4.8 x 13 73 SS 6-8	3
68	503872	Washer, Flt 8x20x3.0	1	86	*004837	Spindle-Rear Roller 660	1
69	503747	Washer, Spg 8	1	87	*008943	Carrier-Bevel Pinion	1
70	501717	Screw, Set M8x20 1mm Pitch	1	88	*567292	Bolt-Hex M6 x 55 HT 8.8	1
71 A	004929	Chain, 3/16" x 1/2, 40P	1	89	*501764	Nut, M6 Hex Nyloc	1
71 B	032186	Chain, 3/16" x 1/2, 42P	1	90	*002708	Pinion-Bevel, 14T	2
72	*731971	Link, Chain 1/2	1	91	*008944	Collar	2
73	501597	Screw, Set M8x20	4	92	*007473	Split Pin, 3.0dia x 30	2
74	501606	Washer, Flt 8x19x1.6	4	93	*002732	Washer-Flt, 22 x 40 x 2	2
75	501602	Nut, M8 Hex	4	94	*007260	Circlip- 7/8" ext	2
76	503747	Washer, Spg 8	4	95	000409	Housing-Bearing	2
80	008876	Roller-Rear,Assemble (Slved)	1	96	004292	Ring-Bearing Housing	2
81	*031953	Roller-Rear,Half (Slved)	2	97	503273	Bearing-Ball 17x40x12 6203 2S	2
82	*004620	Sleeve-Rubber,Rear Roller 660	1				