

WEIBANG®

GARDEN MACHINES

Yangzhou Weibang Garden Machine Company Limited
Hanjiang Industrial Park, Yangzhou City, Jiangsu
Province 225127, P. R. China

Fold along dotted line

Place
Stamp
Here

ATTN: SERVICE DEPARTMENT

Fold along dotted line



M2102020

Wheeled string trimmer

Model Numbers:

WBLT567HLC WBLT567SLC



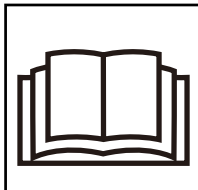
Operator's manual

(Original instruction)





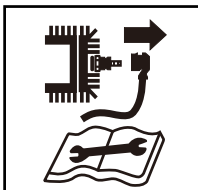
General hazard safety alert



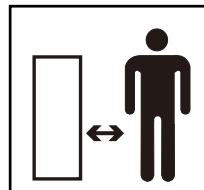
Read Operator's manual



Caution - Do not touch rotating cutting means



Remove spark plug before maintenance



Keep bystanders away from the machine.



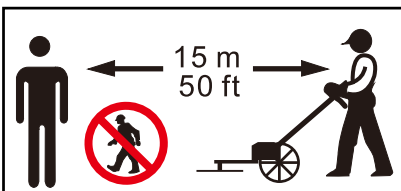
Beware of thrown or flying objects to bystanders.



Beware of whirl string



Do not trim on excessively steep slopes.



Keep bystanders away from the machine. Minimum safety distance



Do not contact a running engine



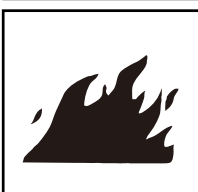
Wear helmet, eye and ear protection



Risk of contact with hot surface.



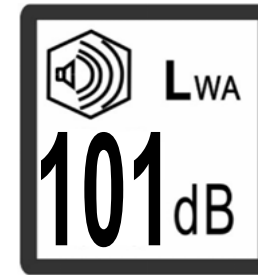
Engine produce carbon monoxide which is an odorless deadly poison. Do not operate in an enclosed area.



Combustible. Do not smoke while re-fuelling or while operating the machine



Warning! Do not install rigid blade and saw blade.



The guaranteed value is: $L_{WA}=101dB(A)$
WBLT567HLC WBLT567SLC

English

- Read the operating instructions before you use the machine!
- Keep third parties away from the danger zone!
- When you are reading the instructions for use, Please unfold the front and back pages.

CONTENT

SAFETY REGULATIONS 01-04

 General Operation 02

 Slope Operation 01

 Children 02

 General Instruction For Operation 02

 Product Specifications 03

ASSEMBLY 04

 To remove string trimmer from carton 04

 How to set up your string trimmer 04

 To assemble engine starter knob 05

 Install the cutting cords 05

OPERATION 06-08

CUSTOMER RESPONSIBILITIES 09-11

SERVICE AND ADJUSTMENTS 12-13

STORAGE 13-14

TROUBLESHOOTING POINTS 14-15

WARRANTY 16



Wear helmet, eye and ear protection



Wear Heavy-duty gloves



Wear Safety footwear



Keep hands and feet away

SAFETY REGULATIONS

I. General Operation

- Users need adequate training.
- Before starting to use this machine, read, understand and follow all instructions that are provided in this manual. Be thoroughly familiar with the controls and the proper use of the machine before starting operations.

WARNING: Do not put your hands or feet near or under rotating parts. Keep clear of the cutting means at all times.

- This machine may only be operated by responsible persons, who are familiar with the operating instructions. Never allow children or people unfamiliar with these instructions to use the trimmer. Local regulations can restrict the age of the operator.
- Keep in mind that the operator or user is responsible for accidents or hazards occurring to other people or their property.

CAUTION: Do not operate the mower when barefoot or while wearing open sandals. Always robust footwear when mowing.

- While mowing, always wear substantial footwear and long trousers. Do not operate the equipment when barefoot or wearing open sandals.
- Thoroughly inspect the area where the equipment is to be used and remove all such objects as rocks, toys, wire, bones, sticks and any other items, which can be thrown by the machine.
- To prevent injury, be sure that there are no persons in the immediate area where you are mowing. If any person enters this area, stop the machine by releasing the drive control lever. Never mow while people, especially children, or pets are nearby. Keep bystanders at least 50 feet away from the area of operation.



- Do not pull the mower backwards, unless this is absolutely necessary. Always look down and behind you, before and while moving backwards. Use extreme caution when reversing or pulling the trimmer towards you.
- Before operating the mower, make sure that all protective screens, and other protective devices are properly installed. Never operate the trimmer with defective guards, or without safety devices, for example deflectors in place.
- Observe the instructions of the manufacturer, for proper operation and installation of accessories. Only those accessories that have been approved by the manufacturer may be used.

- Make sure that the cutting means of the trimmer is not rotating, before crossing gravel drives, walkways or roads.
- Whenever you leave the operating position to make adjustments, change cords or if you have to remove grass or debris from the underside of the deck, turn off the trimmer and wait until the cutting means stops completely. Disconnect the spark plug wire and keep the wire away from the spark plug to prevent accidental starting.



- After each use of the trimmer, clean the machine to prevent attached grass chips have enough heat in decaying process to cause a fire.
- Mowing should only be done during daylight or under good artificial lighting.
- Do not operate the machine while being tired, ill or under the influence of alcohol or drugs.
- Use slip-resistant shoes as well as suitable clothing. Never operate the trimmer in wet grass, where feasible. Always be sure of your footing: Keep a firm hold on the handle and walk; never run.
- Before starting the engine (motor), disengage all cutting means and self-propelling mechanism or drive clutch on trimmer so equipped.
- Self-propelled cutting irrigation machine, release the drive clutch lever before starting the engine to prevent the trimmer moving suddenly.
- If the mower should start to vibrate abnormally, stop the engine (motor) and check immediately for the cause. Vibration is generally a warning of trouble.
- Wear safety goggles or safety glasses with side shields when operating a trimmer.
- Keep hands and feet away the enclosure.
- Worn parts should be referred to our repair shop to be replaced. If necessary, contact the service specified address.
- Before using the machine, inspect the machine by visual to determine whether the cutting, fastening bolts and the entire mower deck worn or damaged. To avoid an imbalance may be, replace worn out or damaged cutting attachment bolts sets.
- Watcher for traffic when mowing near roadways.
- Secure the unit during transport to prevent loss of fuel, damage or injury.
- Warning! Do not use the unit in the event of thunderstorm.
- Follow the maintenance schedule in this manual. Poor maintenance may lead to hazard risk of fire, unit damage or personal injury.
- Only use original spare parts from manufacture. Unapproved parts may lead to unit damage and unforeseeable risk.

II. SLOPE OPERATION

- Slopes are a major factor related to slip and fall accidents, which can result in severe injury. All slopes require extra caution. If you feel uneasy on a slope, do not mow it.

DO:

- Mow across the face of slopes: never up and down. Exercise extreme caution when changing direction on slopes.
- Remove obstacles such as rocks, tree limbs, etc.
- Watch for holes, ruts, or bumps. Tall grass can hide obstacles.

DO NOT:

- Do not trim near drop-offs, ditches or embankments. The operator could lose footing or balance.
- Do not trim excessively steep slopes greater than 15 degrees.
- Do not mow on wet grass. Reduced footing could cause slipping.

III. CHILDREN

- Tragic accidents can occur if the operator is not alert to the presence of children. Children are often attracted to the machine and the mowing activity. Never assume that children will remain where you last saw them.
- Keep children out of the trimming area and under the watchful care of another responsible adult.
 - Be alert and turn machine off if children enter the area.
 - Before and while walking backwards, look behind and down for small children.
 - Never allow children to operate the machine.
 - Use extra care when approaching blind corners, shrubs, trees, or other objects that may obscure vision.

IV. GENERAL INSTRUCTIONS FOR WORKING WITH YOUR LAWMOWER

- **WARNING**-petrol is highly flammable. Use extra care in handling gasoline and other fuels. They are flammable and vapors are explosive.
 - Store fuel in containers specially designed for this purpose; Use only an approved fuel container.
 - Refuel outdoors only and do not smoke while refueling; Never refuel the machine indoors.
 - Never store the machine or fuel container near an open flame, such as a water heater
 - Add fuel before starting the engine. Never remove the cap of the fuel tank or add petrol while the engine is running or when the engine is hot; Allow the engine to cool before refuelling.
 - If petrol is spilled, do not attempt to start the engine but move the machine away from the area of spillage and avoid creating any source of ignition until petrol vapors have dissipated.
 - Replace all fuel tanks and container caps securely;
 - Do not smoke in the neighbourhood of the mower.
- Replace faulty silencers
- Clean up any oil or fuel spills.
- Do not start the engine when standing in front of the discharge chute.

- Do not put hands or feet near or under rotating parts. Keep clear of the discharge opening at all times.
 - Do not operate the engine in a confined space where dangerous carbon monoxide fumes can collect; Walk never run.
 - Always be sure of your footing on slopes.
 - Do not change the engine governor settings or over-speed the engine;
 - Never make adjustments or repairs with the engine (motor) running. Disconnect the sparkplug wire, and keep the wire away from the plug to prevent accidental starting.
 - Check regularly that nuts and bolts, especially blade attachment bolts, are fastened tightly and keep the equipment in a good condition.
 - Never disable or tamper with safety systems or features. Check all starting interlocks and operator presence controls regularly and ensure they are properly functioning.
 - Make sure that grass, leaves or other debris does not collect in the mower; check regularly and remove such residues to blocking.
 - Stop and inspect your trimmer if you strike any object. Disconnect the sparkplug wire for inspection. Repair, if necessary, before restarting.
 - Never attempt to make wheel height adjustments while the engine (motor) is running.
 - String shield components are subject to wear, damage and deterioration, which could expose moving parts or allow objects to be ejected.
- Frequently check these components and, if necessary, replace damaged components with parts recommended by the manufacturer.
- Be especially careful in case you reverse the mower or going to use the machine.
 - Stop the cutting mean(s) if the trimmer has to be tilted for transportation when crossing surfaces other than grass, and when transporting the trimmer to and from the area to be mowed.
 - Start the engine or switch on the motor carefully according to instructions and with feet well away from the blades.
 - Do not tilt the trimmer when starting the engine or switching on the motor, except if the trimmer has to be tilted for starting. In this case, do not tilt it more than absolutely necessary and lift only the part which is away from the operator.
 - Never pick up or carry a trimmer while the engine is running.
 - Stop the engine and disconnect the spark plug wire.
 - Before clearing blockages or unclogging chute.
 - before checking, cleaning or working on the lawnmower.
 - after striking a foreign object. Inspect the lawnmower for damage and make repairs before re-starting and operating the lawnmower;
 - if lawnmower starts to vibrate abnormally (check immediately).
 - Stop the engine:

- whenever you leave the trimmer.
- before re-fuelling.

- Reduce the throttle setting during engine shut down and, if the engine is provided with a shut-off valve, turn the fuel off at the conclusion of mowing;
- Allow the engine to cool before storing in any enclosure.

- Never store the equipment with petrol in the tank inside a building where fumes can reach an open flame or spark. To reduce the fire hazard, keep the engine, silencer, battery compartment and petrol storage area free of grass, leaves, or excessive grease.
- If the fuel tank has to be drained, this should be done outdoors.

PRODUCT SPECIFICATIONS

MODEL	WBLT567HLC	WBLT567SLC
Motor	LONCIN 1P70FC,196 cc ,	
Nominal power	3.2kW / 2800 min-1	
Moving type	Hand push	Self propelled
Fuel tank capacity	1.5 L	
Cutting Width	559mm	
Cutting Height and adjustment	51~137mm/8	
String head speed	2918 min-1	
String cord size/ Length	Ø4.5mm/660mm	
Drive speed	/	0.6~1.2 m/S, 5 speed
Wheel size	Ø14"(PU tire,steel bearing)	
Handle bar height	Multi height adjustable and foldable for store	
Mow ball size	Ø5" (Nylon)	
Blade clutch	Belt tension engage	
Working dimension(LxWxH)	1587 x 543 x 972mm	
Net Weight	42.3 kg	47.3 kg
Guaranteed Noise power level L _{WA} dB(A) (2000/14/EC)	100.5dB(A)	100.5dB(A)
L _{PA} at operator's position	84.6dB(A)	84.6dB(A)
Vibration	2.85m/S2	2.85m/S2

Note: The trimmer's net weight is depending on the different model of engine. These specifications are provided as a reference, these are familiarized with the mower. We reserve the right to make technical changes and other without advance notification. It is possible that some details in this manual does not coincide completely with your machine.

CONGRATULATIONS on your purchase of a new trimmer. It has been designed, engineered and manufactured to give you the best possible dependability and performance.

Should you experience any problem you cannot easily remedy, please contact the nearest authorized service center/department. We have competent, well-trained technicians and the proper tools to service or repair this trimmer.

Please read and retain this manual. The instructions will enable you to assemble and maintain your trimmer properly. Always observe the "SAFETY REGULATIONS"

We recommend that you write down the serial number and purchase date in your user manual, so that you will always have it at hand.

SERIAL NUMBER _____
 DATE OF PURCHASE _____
 THE MODEL AND SERIAL NUMBERS WILL BE FOUND ON A DECAL ATTACHED TO THE REAR OF THE LAWNMOWER HOUSING.
 YOU SHOULD RECORD BOTH SERIAL NUMBER AND DATE OF PURCHASE AND KEEP IN A SAFE PLACE FOR FUTURE REFERENCE.

CUSTOMER RESPONSIBILITIES

- Read and observe the safety regulations contained in this manual.
- Follow a regular schedule for maintaining, caring for and using your trimmer.
- Follow the instructions in the "Customer responsibilities" and "Storage" sections of this owner's manual.
- Remember that the operator is responsible for accidents with other persons or their property.

WARNING: Engine exhaust gases and some of its constituents, as well as certain other vehicle components contain or emit chemicals, which are known to cause cancer, possible birth defects or harm to the reproductive organs.

PROPER USE

The gasoline trimmer is for private use in the home and garden suitable hobby. The mower may only be used for the maintenance of grass or lawns in the home and garden hobby can be used. Any application that is not listed in this guide is prohibited.

The above use and safety instructions must be strictly adhered to. The manufacturer assumes no liability for any damage caused by improper operation, improper use, misuse, unauthorized repairs or alterations performed.

Residual risks
 Even when the power tool is used as prescribed it is not possible to eliminate all residual risk factors. The following hazards may arise in connection with the power tool's construction and design:
 1. Damage to lungs if an effective dust mask is not worn.
 2. Damage to hearing if effective hearing protection is not worn.
 3. Damages to health resulting from vibration emission if the power tool is being used over longer period of time or not adequately managed and properly maintained.

ASSEMBLY

Read these instructions and this manual in its entirety before you attempt to assemble or operate your new trimmer.

IMPORTANT: THIS STRING TRIMMER IS SHIPPED WITHOUT OIL OR GASOLINE IN THE ENGINE.

Your new trimmer has been assembled at the factory with the exception of those parts left unassembled for shipping purposes. All parts such as nuts, washers, bolts, etc., necessary to complete the assembly have been placed in the parts bag. To ensure safe and proper operation of your lawn mower, All parts and hardware you assemble must be tightened securely. Use the correct tools as necessary to ensure proper tightness.

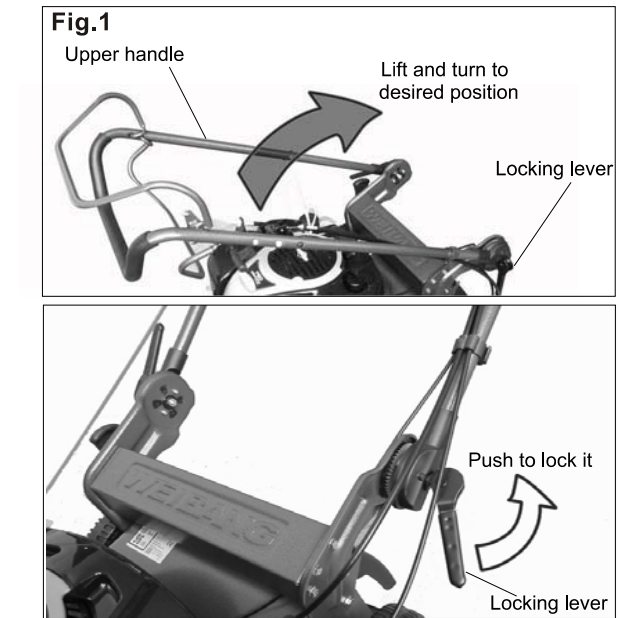
I. TO REMOVE STRIING TRIMMER FROM CARTON

- Remove loose parts included with mower.
- Cut down two end corners of carton and lay end panel down flat.
- Remove all packing materials except padding between upper and lower handle and padding holding operator presence control bar to upper handle.
- Roll the trimmer out of carton and check carton thoroughly for additional loose parts.

II. HOW TO SET UP STRIING TRIMMER

IMPORTANT: UNFOLD HANDLE CAREFULLY SO AS NOT TO PINCH OR DAMAGE CONTROL CABLES.

- Release two locking levers on both sides. Lift and unfold upper handle to desired height and then relock upper handle. Refer to Service and Adjustments section.

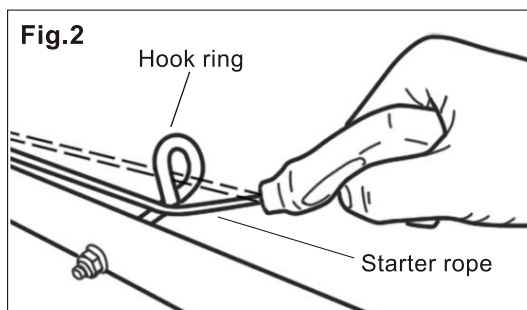


- Remove any packing material from around control bar.
- CAUTION:** Unfold the handle carefully to avoid pinching and damaging the control cables.
- Your handles may be adjusted for your mowing comfort. Refer to Service and Adjustments section of this manual.

CAUTION: Wear protective gloves during operation.

III. ASSEMBLE ENGINE STARTER KNOB

- For safety operation, the starter rope has been pulled out and the knob has been caught in the hook ring on upper handle in factory.
- Always keep starter rope in hook ring during all mowing work. If starter rope released from the hook ring, recatch it as Figure.2.



WARNING: The safety position of starting engine is at the back of upper handle. Users must keep the rope always in the middle of the hook ring during starting engine and mowing work. It is danger to starting engine away from the safety position, which will lead to the risk of feet hurting.

VI. INSTALLING THE CUTTING CORDS

There are two installing points on each . Each point is 180 degrees apart. Always install two Cords, one opposite the other at the same height. Note: Soaking the Cutting Cords and trimming the ends at an angle will make installation easier.

1. Insert the ends of the Cords into the side openings in the string disc(Figure 3).
2. Push the Cord through until the ends come out the center hole in the string disc. Adjust the Cords so the tips are even.
3. Pull the Cords under the loop and push the loop up into the string disc groove above them (Figure 4) and then pull the Cords tight.

NOTICE

If the tips of the cords are not even, it can cause unbalance of the trimmer and will result in increased vibration.

Figure 5 illustrates the Cords installation on the String disc. It shows the string disc from a top view. It may look complicated, but once you have done

it a couple of times, it's easy. There are two installation points on each string disc Each point is 180 degrees apart. Always install two Cords, one opposite the other.

Extending Cutting Cord Life

STORE YOUR CORD OUT OF THE SUN. UV can damage your cord causing premature wear.

KEEP YOUR CORD HYDRATED. Soak your cord in water for at least 3 days before using.

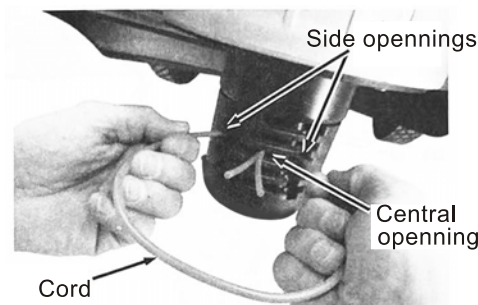


Fig.3

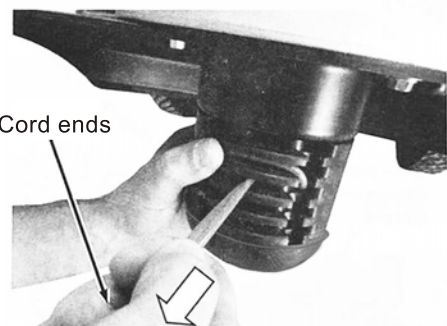


Fig.4

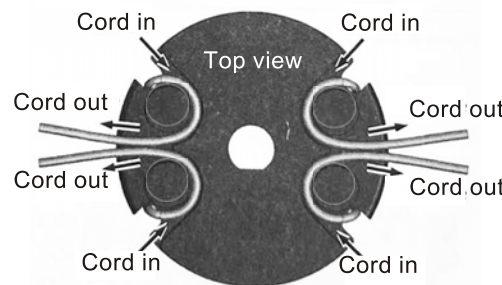
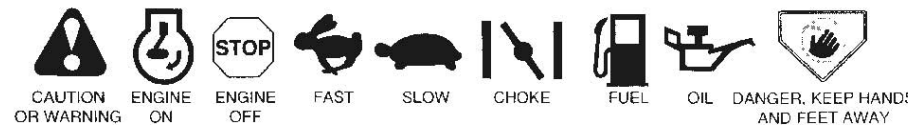


Fig.5

OPERATION

These symbols may appear on your lawn mower or in literature supplied with the product. Learn and understand their meaning.



DRIVE CLUTCH LEVER- an OPC lever used to engage self-propelled forward motion of trimmer.

THROTTLE and DRIVE SPEED CONTROLER- Allows you to select either fast or slow engine speed and select desired self-propelled speed.

CUTTING MEANS ENGAGE LEVER- an OPC lever used to en-gage cutting means.

STARTER KNOB- used for starting the engine.



Fig.6

WARNING: The operation of any string trimmer can result in foreign objects thrown into the eyes, which can result in severe eye damage. Always wear safety glasses or eye shields while operating your string trimmer or performing any adjustments or repairs. We recommend wide vision safety mask over spectacles or standard safety glasses.

HOW TO USE YOUR STRING TRIMMER ENGINE SPEED

A throttle located on the side of the upper handle controls the engine speed. Fast position is for normal trimming.

Slow position is for light cutting, trimming and fuel economy.

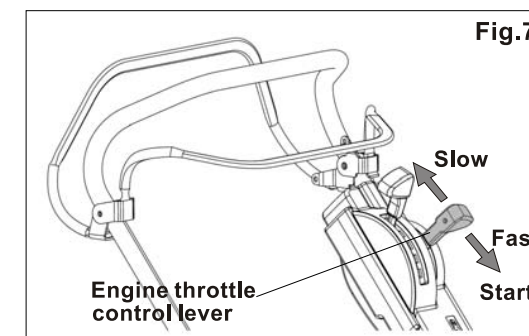


Fig.7

ENGINE CONTROL ZONE

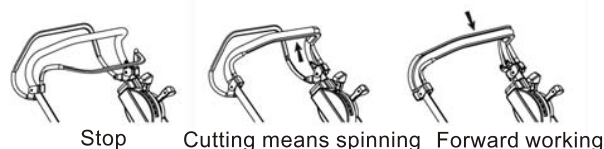
● Your string trimmer is equipped with an operator presence control lever which requires the operator to be positioned behind the trimmer handle to start and operate the string trimmer.

TO OPERATE DRIVE SYSTEM and CUTTING MEANS(See Fig.8)

- To start forward motion, lift drive clutch lever up to handle.
- To stop forward motion, release drive clutch lever.
- To run cutting means, push the red lock lever to release the cutting means engage lever and then lift the engage lever up to handle.
- To stop cutting means, release cutting means engage lever.

IMPORTANT: ALWAYS KEEP DRIVE CLUTCH LEVER FULLY ENGAGED AGAINST HANDLE WHEN IN USE.

Power propelled:



Hand propelled:

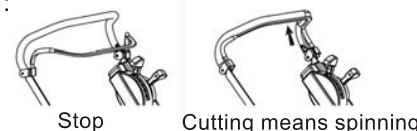


Fig.8

ADJUSTING THE DRIVE SPEED (See Fig.9)

NOTE: The speed may only be adjusted when the engine is running in order to avoid damage!

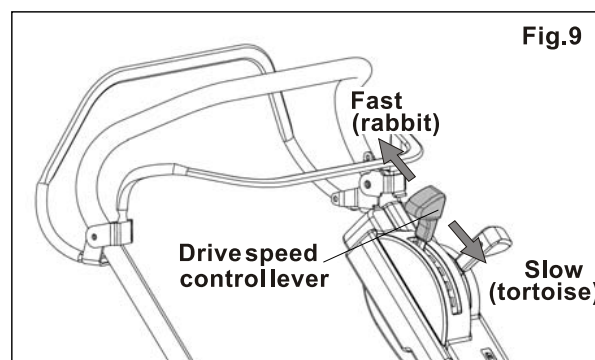


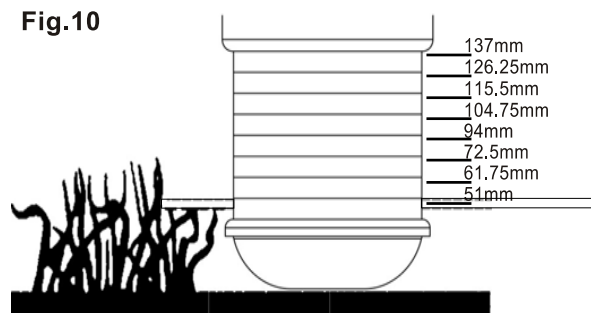
Fig.9

- The driving speed can be continuously adjusted by using the adjustment lever mounted on the upper hand.
- Pull the lever out from the catch, then move to desired speed position and let it fall back into nearest catch.
- Position "rabbit" =fast(max.speed)
- Position "tortoise" =slow (min.speed)

ADJUSTING THE CUTTING HEIGHT (See Fig. 10)

- Never adjust the cutting height with the motor still running.
- The trimmer is adjusted to one cutting height upon delivery.
- You can set the cutting cords to the desired height from 51~137mm(8 position) to fit different terrain. Remove the cords and re-intall cords on new position of string disc group.

Fig.10



BEFORE STARTING ENGINE

ADD OIL

Your trimmer is shipped without oil in the engine. Engine holds approximately 0.6L refer to engine manufacturers specifications in engine hand book.

For type and grade of oil to use, see "ENGINE" in Customer Responsibilities section of this manual.

1.Be sure trimmer is level and area around oil fill is clean.

2. Remove engine oil cap and fill to the full line on the dipstick. Pour oil slowly. Do not over fill.

NOTE: Allow oil to settle down into engine for accurate reading. To read proper level, tighten engine oil cap, then remove it to read the dipstick.

3.Reinstall engine oil cap and tighten.

- Check oil level before each use. Add oil if needed. Fill to full line on dipstick.

- Change the oil after every 25 hours of operation or each season. You may need to change the oil more often under dusty, dirty conditions.

ADD GASOLINE

NOTE: Before filling fuel tank, remove and discard the debris plug that is inside the tank.

Fill fuel tank. Use fresh, clean, regular unleaded gasoline with a minimum of 87 octants. Do not mix oil with gasoline. Purchase fuel in quantities that can be used within 30 days to assure fuel freshness.



WARNING: Experience indicates that alcohol blended fuels (called gasohol or using ethanol or methanol) can attract moisture which leads to separation and formation of acids during storage. Acidic gas can damage the fuel system of an engine while in storage. To avoid engine problems, the fuel system should be emptied before storage of 30 days or longer. Drain the gas tank, start the engine and let it run until the fuel lines and carburetor are empty. Use fresh fuel next season. See storage instructions for additional information. Never use engine or carburetor cleaner products in the fuel tank or permanent damage may occur.



CAUTION: Fill to bottom of gas tank filler neck. Do not overfill. Wipe off any spilled oil or fuel. Do not store, spill or use gasoline near an open flame.

TO START ENGINE

NOTE: Due to protective coatings on the engine, a small amount of smoke may be present during the initial use of the product and should be considered normal.

- 1.Release all control levers.
- 2.Move throttle control lever to fast position.
- 3 Pull the starting-rope on handle until you feel the starter clutch engage. Then **pull hard and fast** to start the engine. After the start, let the rope glide back. Do not let it snap.



CAUTION: If the engine fails to start in 30 second after repeated starting operation by pulling the starter knob, please stop your operation and check the causes. See trouble shooting.

TO STOP ENGINE

- To stop engine, shift the throttle lever to "STOP" position.
- NOTE** In warmer weather over failed starting may cause flooding and engine will not start. If you do flood engine, wait a few minutes before starting again.

MOWING TIPS

- Under certain conditions, such as very tall grass, it may be necessary to raise the height of cut to reduce pushing effort and to keep from overloading the engine and leaving clumps of grass clippings. It may also be necessary to reduce ground speed and /or run the string trimmer over the area a second time.
- For extremely heavy cutting, reduce the width of cut by overlapping previously cut path and mow slowly.
- For most cutting conditions, the engine speed should be set in the fast position.
- Keep top of engine around starter clear and clean of grass clippings and chaff. This will help engine air flow and extend engine life.
- Certain types of grass and grass conditions may require that an area be mulched a second time to completely hide the clippings. When doing a second cut, mow across or perpendicular to the first cut path.
- Change your cutting pattern from week to week. Mow north to south one week then change to east to west the next week. This will help prevent matting and graining of the lawn.



IMPORTANT: FOR BEST PERFORMANCE, KEEP MOWER HOUSING FREE OF BUILT-UP GRASS AND TRASH. SEE "CLEANING" IN CUSTOMER RESPONSIBILITIES SECTION OF THIS MANUAL.

OBSTACLES TRIMMING TIPS

- Dealing with obstacles in the terrain is easy with your new string trimmer. The following section explains how to approach most common obstacles.

WARNING! The engine powered string trimmer can easily throw stones, sticks, and other debris at great velocity, which could cause personal injury or property damage. Do not run the machine over gravel driveways or over loose stones or mulch with the trimmer head spinning.

Tip: The string trimmer discharges cut material to the right. Always try to cut and trim with the uncut tall grass or weeds on the left.

- Always check your work area before trimming and remove any debris that might tangle or damage the machine.

- If you do run into debris and the trimmer becomes tangled, turn off the engine and disconnect the spark plug wire before attempting to untangle the machine.

- For the neatest appearance, do your trimming first, discharging clippings away from borders and shrubs, then do your mowing.

- Many owners like to mow easy, open areas with their regular riding or walk-behind mower and finish trimming all the odd and hard-to-reach spots with the string trimmer.

HEAVY GROWTH TRIMMING TIPS

- Take your time in heavy growth.
 - Be sure to keep uncut material to your left, maintaining a clear discharge area to your right.
 - If the machine cannot do it all in one pass, overlap half of the cutting swath.
 - If the grass is very thick and heavy, try raising the trimmer head off the ground a few inches by pushing down on the handlebar. Cut the material at this height, and then make a second pass with the ball close to the ground.
 - Ease the trimmer into denser growth. If the material is too tough or woody to cut, the cutting cords will wrap around it, wear down, or even break off.
 - Sometimes the growth is so heavy, you cannot mow it in rows. Use a forward and back "vacuum cleaner" motion in these cases.
- Tip: Use the "two pass", one half overlap method, whenever possible.
- Use your trimmer as a labor saving tool to cut material when creating firebreaks.

CUSTOMER RESPONSIBILITIES

MAINTENANCE SCHEDULE

FILL IN DATES AS YOU COMPLETE REGULAR SERVICE		BEFORE EACH USE	AFTER EACH USE	EVERY 10 HOURS	EVERY 25 HOURS OR EVERY SEASON	BEFORE STORAGE	SERVICE DATES
T R I M M E R	Check for loose fasteners	✓				✓	
	Replace broken or frayed cutting cords	✓					
	Clean string trimmer		✓			✓	
	Check trimmer belt for stretching. Adjust the Drive cable and Cutting Means cable if necessary.	First time 2 hours			✓		
	Check string disc for excessive wear	✓					
	Replace Drive belt						✓3
	Replace Cutting Means belt						✓3
	Lubricate chains(if equipped) and all cables				✓		
	Lubrication Chart				✓	✓	
E N G I N E	Change Engine Oil				✓		
	Check Engine Oil Level	✓1, 2					
	Clean Air Filter			✓2			
	Inspect Muffler				✓		
	Clean or replace Spark Plug				✓		
Replace Air Filter Paper Cartridge				✓			

1. Change more often when operating under a heavy load or in high ambient temperatures.
2. Service more often when operating in dirty or dusty conditions.
3. Check every 50 hours at least before service.

GENERAL RECOMMENDATIONS

The warranty on this string trimmer does not cover items that have been subjected to operate or abuse or negligence. To receive full value from the warranty, operator must maintain mower as instructed in this manual. Some adjustments will need to be made periodically to properly maintain your unit. All adjustments in the Service and Adjustments section of this manual should be checked at least once each season.

- Once a year, replace the spark plug, clean or replace air filter element and check blade for wear. A new spark plug and clean/new air filter element assures proper air-fuel mixture and helps your engine run better and last longer.

- Follow the maintenance schedule in this manual.

WARNING: MAKE SURE DOING ALL OPERATIONS WHEN THE ENGINE STOPPED.

BEFORE EACH USE

1. Check engine oil level.
2. Check for loose fasteners.

LUBRICATION

Keep unit well lubricated.

STRING TRIMMER

Always observe safety rules when performing any maintenance.

TIRE

- Keep tires free of gasoline, oil, or insect control chemicals which can harm rubber.
- Avoid stumps, stones, deep ruts, sharp objects and other hazards that may cause tire damage.

REPLACING CUTTING CORDS

WARNING! Before performing any adjustment, maintenance procedure or inspection, stop the engine, wait five minutes to allow parts to cool and disconnect the spark plug wire, keeping it away from the spark plug.

NOTE: Running the trimmer with only one cord installed, cords of unequal length or cords installed at other than 180 degrees apart can cause excessive vibration and may damage the machine.

- Remove old cords with a needle nose pliers.
- Re-install new cords. For more detailed information refer to "Installing The Cutting Cords" section.

NOTE: After you install the Cords, and before trimming, engage the Cutting means with the Engine running to spin the new Cords for a few seconds so they pull tight and are set well.

NOTE:

Protect your hands with gloves during above operation.

REPLACING STRING DISCS (Figure 11).

Tools and Supplies Needed:

- Phillips head Screwdriver with at least a 6" shank
- Gloves

Disassembly

1. Insert a Philips Head Screwdriver into the hole in the Anti Wrap shield and rotate the Supporting Bowl Assembly until the screw driver slides into a hole in the internal Housing and then into a hole in the spindle at the location shown, locking it into place.

2. Looking down at the top of the Frame, unscrew the central screw plug with a special spanner as show on Figure11.

3 Unsrew the central bolt with a 16mm socket wrench to release and slide the supporting bowl and all string discs off the spindle.

Note: If the String disc group continues to turn, but does not come off, check to be sure that you locked the Screwdriver into the shaft.

Assembly

NOTICE:

Improper installation can cause damage to the trimmer bearings. Follow these directions carefully to protect your machine from damage. Re-assemble the components in the order shown.

1. Replace and ensure the string discs are facing top side up as shown. Align the flats at the center of the string discs with the flat on the shaft as you slide them onto the Spindle. Ensure the Tabs on the underside of the string discs are fully into the holes on the tops of the string discs so they fit together tightly.

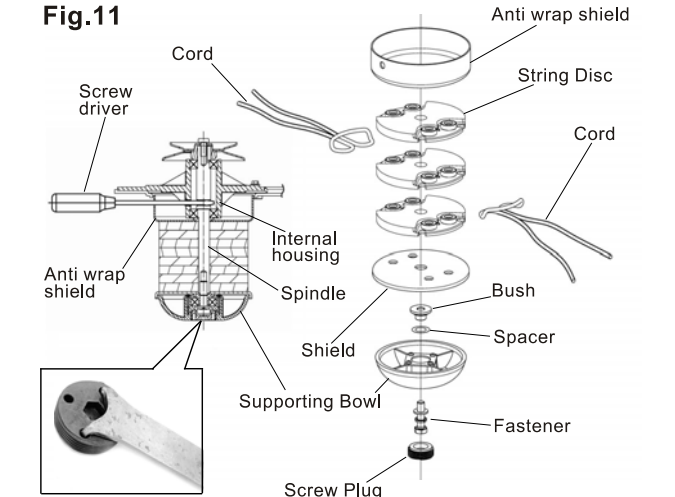
2. Re-intall the supporting bowl as show on figure11 and then screw the central bolt fastener to the spindle end through the hole in the cylindrical cavity at the bottom of the supporting Bowl.

3.Tighten the assembly securely by turning the central bolt clockwise with the socket wrench. And then reinstall the central screw plug with the special spanner.

4.Remove the Screwdriver.

Note: When finished there should be no gaps between any of the components.

Fig.11



WARNING!

Always make sure you remove the screwdriver from the head assembly when finished. Failure to remove the screwdriver could cause injury when the head assembly is engaged.

DRIVE BELTS AND CUTTING MEANS BELTS

If the belt must be replaced, please contact your local dealer or service agent for details and assistant.

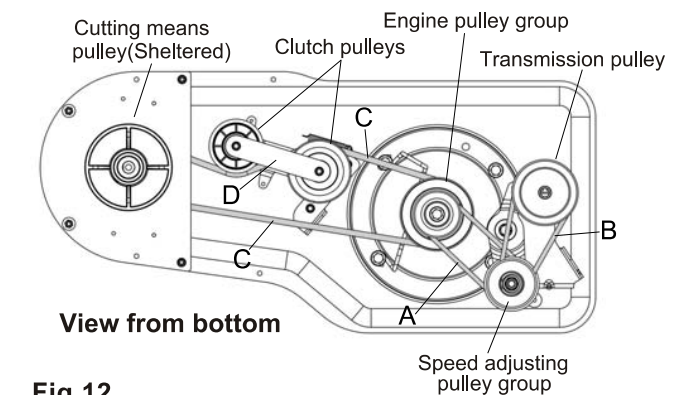


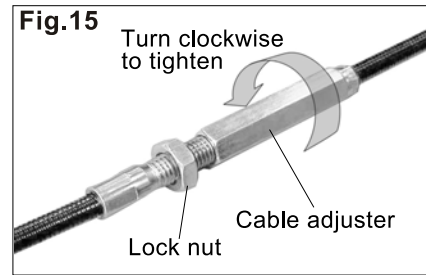
Fig.12

Note: Before using your Trimmer for the first time or after you have installed a new Belt, engage the cutting means engage lever 10 times and hold it for 3 seconds each time. This is required to wear in the Belt to ensure the best grip for trimming.

DRIVE WHEELS (power propelled)

Check rear drive wheels each time you mow to be sure they move freely. The wheels not turning freely means trash, grass cuttings, etc. may wrap the wheel and must be cleaned out to free wheels. If necessary to clean the drive wheels, check both rear wheels.

you can loosen it by rotating the adjuster in the opposite direction.
 3.If the cable Adjuster is adjusted all the way out and more adjustment is needed, it means the Belt needs to be replaced.



ENGINE
ENGINE SPEED

Your engine speed has been factory set. Do not attempt to increase engine speed or it may result in personal injury. If you believe that the engine is running too fast or too slow, take your string trimmer to an authorized service center for repair and adjustment.

THROTTLE CONTROL

If it becomes necessary to adjust or replace the throttle control, see the adjustment section of your engine manual.

CARBURETOR

The carburetor has been preset at the factory and adjustment should not be necessary. However, minor adjustment may be required to compensate for differences in fuel, temperature, altitude or load.

- The air filter must be assembled to the carburetor when running engine.
- Best carburetor adjustment is obtained when fuel tank is 1/4 full.
- In order for the engine to run, the control bar must be held in the operating position. Therefore, an assistant will be required to hold the control bar in the operating position when making final adjustment to the carburetor.

See the Adjustment section of your engine manual for further instruction.

LEADS TO SEPARATION AND FORMATION OF ACIDS DURING STORAGE. ACIDIC GAS CAN DAMAGE THE FUEL SYSTEM OF AN ENGINE WHILE IN STORAGE.

- Drain the fuel tank.
- Start the engine and let it run until the fuellines and carburetor are empty.
- Never use engine or carburetor cleaner products in the fuel tank or permanent damage may occur.
- Use fresh fuel next season.

NOTE: Fuel stabilizer is an acceptable alternative in minimizing the formation of fuel gum deposits during storage. Add stabilizer to gasoline in fuel tank or storage container. Always follow the mix ratio found on stabilizer container. Run engine at least 10 minutes after adding stabilizer to allow the stabilizer to reach the carburetor. Do not drain the gas tank and carburetor if using fuel stabilizer.

Drain oil (with engine warm) and replace with clean engine oil. (See “ENGINE” in the CUSTOMER RESPONSIBILITIES section of this manual).

CYLINDER

- 1.Remove spark plug.
- 2.Pour one ounce (29ml) of oil through spark plug hole into cylinder.
- 3.Pull starter handle slowly a few times to distribute oil.
- 4.Replace with new spark plug.

OTHER

- Do not store gasoline from one season to another.
- Replace your gasoline can if your can starts to rust. Rust and /or dirt in your gasoline will cause problems.
- If possible, store your unit indoors and cover it to give protection from dust and dirt.
- Cover your unit with a suitable protective cover that does not retain moisture. Do not use plastic. Plastic cannot breathe which allows condensation to form and will cause your unit to rust.

! IMPROTANT: NEVER COVER MOWER WHILE ENGINE AND EXHAUST AREAS ARE STILL WARM.

! CAUTION: Never store the string trimmer with gasoline in the tank inside a building where fumes may reach an open flame or spark. Allow the engine to cool before storing in any enclosure.

STORAGE

Immediately prepare your string trimmer for storage at the end of the season or if the unit will not be used for 30 days or more.

STRING TRIMMER

When String trimmer is to be stored for a period of time, clean it thoroughly, remove all dirt, grease, leaves, etc. Store in a clean, dry area.

- 1.Clean entire string trimmer (See “CLEANING” in the Customer Responsibilities section of this manual)
- 2.Lubricate as shown in the Customer Responsibilities section of this manual.
- 3.Be sure that all nuts, bolts, screws, and pins are securely fastened. Inspect moving parts for damage, breakage and wear. Replace if necessary.
- 4.Touch up all rusted or chipped paint surfaces; sand lightly before painting.

HANDLE

You can fold your string trimmer handle for storage.

1. Release two (2) locking levers on both sides of upper handle and pivot entire handle assembly forward and allow it to rest on trimmer and then turn locking levers to relock upper handle.
2. Ensure cables are not trapped when folding/unfolding upper handles, do not drop the handles.
3. Lift the cross bar of upper handle to stand the

trimmer by it's tail.

NOTE: Make sure only few fuel still in fule tank before you stand the trimmer.

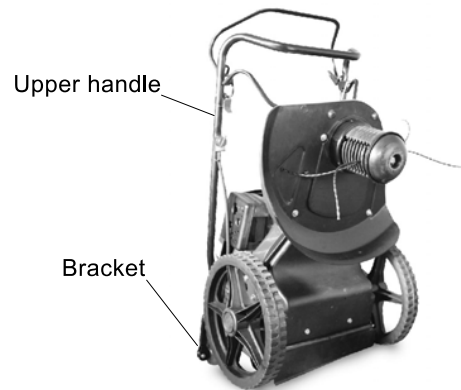


Fig.16

ENGINE

FUEL SYSTEM

IMPORTANT: IT IS IMPORTANT TO PREVENT GUM DEPOSITS FROM FORMING IN ESSENTIAL SYSTEM PARTS SUCH AS CARBURETOR, FUEL FILTER, FUEL HOSE, OR TANK DURING STORAGE. ALSO, EXPERIENCE INDICATES THAT ALCOHOL BLENDED FUELS(CALLED GASOHOL OR USING ETHANOL OR METHANOL) CAN ATTRACT MOISTURE WHICH

※ **TROUBLESHOOTING POINTS**

PROBLEM	CAUSE	CORRECTION
Does not start	1.Dirty air filter.	1.Clean/replace air filter.
	2.Out of fuel.	2.Fill fuel tank.
	3.Stale fuel.	3.Drain tank and refill with fresh clean fuel.
	4.Water in fuel.	4.Drain fuel tank and carburetor and refill tank with fresh gasoline.
	5.Spark plug wire is disconnected.	5.Connect wire to plug
	6.Bad spark plug.	6.Replace spark plug.
	7.Loose blade or broken blade adapter.	7.Tighten blade bolt or replace blade adapter.
	8.Control bar in released position.	8.Depress control bar to handle.
	9.Control bar defective.	9.Replace control bar.
Starter rope hard to pull	1.Engine flywheel brake is on when control bar is released.	1.Depress control bar to upper handle before pulling starter rope.
	2.Bent engine crankshaft.	2.Contact a qualified service center.
	3.Blade adapter broken.	3.Replace blade adapter.
	4.Blade dragging in grass.	4.Move lawn mower to cut grass or to hard surface.

PROBLEM	CAUSE	CORRECTION
Hard to push	1.Grass is too high	1.Raise cutting height
	2.Handle height position not right for you.	2.Adjust handle height to suit.
Loss of drive (Power propelled)	1. Belt wear.	1.Check/replace drive belt.
	2.Belt off of pulley.	2.Check/reinstall drive belt.
Loss of power	1.Cutting too much grass.	1.Set to “Higher Cut” position.
	2.Dirty air filter.	2.Clean/replace air filter.
	3.Buildup of grass, leaves, and trash under trimmer	3.Clean underside of trimmer housing.
	4.Too much oil in engine.	4.Check oil level.
	5.Walking speed too fast.	5.Cut at slower walking speed.
Poor cut-uneven	1.Buildup of grass, leaves and trash under trimmer.	1.Clean underside of trimmer housing.
Excessive vibration	1.Bent engine crankshaft.	1.Contact a qualified service center.

※ 1)Ensure the engine and blades are stopped and the spark plug disconnected before performing any maintenance, do not touch the engine muffler after use at very high temperature.

ATTENTION: Before the trimmer is stored, make sure the engine cool.

TRANSPORTATION:

Turn off the engine. Make sure the blade are not bent or damaged when you are pushing the trimmer over obstacles.

WARRANTY

Proper maintenance of your Weibang equipment is the owner's responsibility. Follow the instructions in your owners guide for correct lubricants and maintenance schedule. Your Weibang dealer carries a complete line of quality lubricants and filters for your equipments engine, transmission, chassis and attachments.

We provide a 2 year warranty from date of purchase: During that time we will replace we assure a free of charge replacement of any part or parts found to be defective in material or workmanship or both, after examination by an authorized dealer, or by the service department of Weibang. We will supply repair services for the machine during a warranty period limited to 2 years.

A warranty period of 90 days applies to machines used for commercial purposes.

If your string trimmer has malfunctioned within the warranty period, and on presentation of a properly filled in warranty certificate and the purchase invoice, please contact with Your local dealer or Yangzhou Weibang Garden Machine, if there is no authorised maintenance station or dealer in your area. The machine will be repaired expense depended on warranty certificate and invoice.

All normal wear and tear and/or consumable parts are protected from manufacturer's defects in material and workmanship for a period of thirty (30) days from the date of purchase.

Damages caused by an inappropriate or faulty operation, by non-observance of the safety regulations and operating instructions contained in this manual, by unauthorised repairs or a dismantling of the machine by unauthorised persons, or any other deficiency that cannot be attributed to faulty workmanship or materials, do not fall under this guarantee. Such deficiencies, malfunctions or damages are the sole responsibility of the owner, and eventually necessary repairs are at the owner's expense.

This limited warranty gives you specific legal rights, and which is in addition to any statutory rights to which you may be entitled and your statutory rights are not affected by this warranty. If you need additional information concerning this written warranty, or assistance in obtaining services, please contact:

Yangzhou Weibang Garden Machine Company Limited
Hanjiang Industrial Park
Yangzhou, Jiangsu, P.R. CHINA

Tel: +86-514-87849959, +86-514-87849975 Fax: +86-514-87849938

Email questions and comments to:

Sale@weibang.com

Visit our website:

www.weibang.com

EC DECLARATION OF CONFORMITY

Business name of the manufacturer: **Yangzhou Weibang Garden Machine Company Limited**

full address of the manufacturer: **Hanjiang Industrial Park, Yangzhou City,**

Jiangsu Province 225127, P. R. China

name and address of the person (established in the Community) compiled the technical file:

Cristoph Meyer, Bochstraße 1, D23569 Lubeck ,Germany

We declaring that the machinery

product name: **Grass Trimmer**

commercial name: **Wheeled string trimmer**

function: **Service for agriculture and forestry**

model:

WBLT567HLC WBLT567SLC

type: **gasoline powered**

serial no.:

fulfils all the relevant provisions of Directives:


2006/42/EC, 2014/30/EU

and tested in accordance with below standards:

EN 14910

place and date of the declaration: **Jiangsu 2023-09-20**

signature of the person:



Sucheng Ju (General Manager)

WEIBANG WARRANTY REGISTRATION

Customer keep

Congratulations for choosing an WEIBANG product to meet all your tough jobsite needs! Please file your original bill of purchase for this unit in a safe place. For warranty service of your WEIBANG product, you will need to provide a copy of this document to confirm your warranty status.

Product registration is a key step toward enjoying your new WEIBANG product! While registration is not necessary to enjoy our manufacturer's warranty, there are many benefits to participating in this program. Registration helps to facilitate warranty service, and notify you of any updates, changes, and service advisories on your product. Complete this Warranty Registration Card and fax it to _____ or mail it to the address on the back of this card within 14 days.

Data Protection: your data will be held and used by WEIBANG and their authorized dealers for warranty administration and marketing purposes only. WEIBANG will not forward this data to third parties.

If you do not wish to receive marketing information please tick box.

Warranty Registration Information

A. Ownership Information			
Owner's Name:			
Owner's Address:			
Post code:		Country:	
B. Machine Information			
Date of purchased:			
Machine Model:			
Machine Serial No:			
C. Product Information Update			
Can we contact you with any product-related news?			
Who should we contact?			
Contact Telephone:			
Contact Fax:			
Contact E-Mail:			
What is the preferred contact method?			
D. Signature			
Dealer name/address			Signature
Customers: My signature hereby confirms that I have received the operating instruction intended for the device, instructions and the device free of obvious defects.			Signature

Packing List

NAME	QTY.	REMARK
Wheeled String trimmer	1	
ENGINE OPERATOR'S MANUAL	1	
String trimmer OPERATOR'S MANUAL	1	

Record of maintenance/service works

Date	Content	Maintenance Man	Remark

WEIBANG WARRANTY REGISTRATION

Dealer keep

Congratulations for choosing an WEIBANG product to meet all your tough jobsite needs! Please file your original bill of purchase for this unit in a safe place. For warranty service of your WEIBANG product, you will need to provide a copy of this document to confirm your warranty status.

Product registration is a key step toward enjoying your new WEIBANG product! While registration is not necessary to enjoy our manufacturer's warranty, there are many benefits to participating in this program. Registration helps to facilitate warranty service, and notify you of any updates, changes, and service advisories on your product. Complete this Warranty Registration Card and fax it to _____ or mail it to the address on the back of this card within 14 days.

Data Protection: your data will be held and used by WEIBANG and their authorized dealers for warranty administration and marketing purposes only. WEIBANG will not forward this data to third parties.

If you do not wish to receive marketing information please tick box.

Warranty Registration Information

A. Ownership Information

Owner's Name:			
Owner's Address:			
Post code:		Country:	

B. Machine Information

Date of purchased:	
Machine Model:	
Machine Serial No:	

C. Product Information Update

Can we contact you with any product-related news?	
Who should we contact?	
Contact Telephone:	
Contact Fax:	
Contact E-Mail:	
What is the preferred contact method?	

D. Signature

Dealer name/address	Signature
Customers: My signature hereby confirms that I have received the operating instruction intended for the device, instructions and the device free of obvious defects.	Signature